



Air Conditioning & Heating

CPC COMMERCIAL

7½- TO 12½-TON THREE-PHASE PACKAGED AIR CONDITIONERS

UP TO 11.5 EER

COOLING CAPACITY: 90,000 — 118,000 BTU/H



Standard Features

- R-410A chlorine-free refrigerant
- High-efficiency scroll compressor
- Copper tube / aluminum fin coils
- Contactor with lugs
- High- and low-pressure switches
- High-capacity, steel-cased filter dryer
- Heater kits with single-point entry
- 24-volt terminal strip
- Convertible
- Easy to service
- Built-in filter rack with standard 2" filters
- Bottom utility entry
- AHRI Certified; ETL Listed

Cabinet Features

- Heavy-gauge, galvanized-steel cabinet with UV-resistant powder-paint finish
- Full Perimeter Rail

Contents

Nomenclature	2
Product Specifications	3
Airflow Data	7
Heat Kit Electrical Data	11
Expanded Cooling Data	16
Dimensions	26
Wiring Diagrams	30
Accessories	34



* Complete warranty details available from your local dealer or at www.goodmanmfg.com.



NOMENCLATURE

	C 1	P 2	C 3	090 4,5,6	030 7,8,9	3 10	B 11	X 12	X 13	X 14		
Brand										Factory-Installed Special Features		
C Commercial										X No Features		
Configuration										Special Treatment		
P Packaged Multi-Position										X No Treatment / Standard Aluminized Heat Exchanger (AH)		
Application										S Stainless Steel Heat Exchanger		
C Cooling										Economizer Options (Factory Installed)		
G Gas Heat										X No Economizer		
H Heat Pump										Supply Fan/Drive Type/Motor		
Nominal Gross Cooling Capacity										B Belt Drive		
036 3 Tons	090 7½ Tons										D Direct Drive	
048 4 Tons	120 10 Tons											
060 5 Tons	150 12½ Tons											
072 6 Tons	240 20 Tons											
Heating Capacity -- Electric										Voltage		
016 16 kW Electric Heater	045 45 kW Electric Heater										1 208V 1-Phase	
030 30 kW Electric Heater										2 220/240V 1-Phase 50 Hz		
											3 208V 3-Phase	
											4 460V 3-Phase	
											5 380/415V 3-Phase 50 Hz	
											7 575V 3-Phase	

PRODUCT SPECIFICATIONS — 7½ TONS

	A MODELS		B MODELS		
	CPC090 XXX3BXXX	CPC090 XXX4BXXX	CPC090 XXX3BXXX	CPC090 XXX4BXXX	CPC090 XXX7BXXX
COOLING CAPACITY					
Total BTU/h	90,000	90,000	90,000	90,000	90,000
Sensible BTU/h	65,700	65,700	64,000	64,000	64,000
EER / IEER	11.5 / 11.5	11.5 / 11.5	11.5 / 11.5	11.5 / 11.5	11.5 / 11.5
Decibels	82.0	82.0	82.0	82.0	82.0
AHRI Reference #s	3000986	3000986	3620223	3620223	3620223
EVAPORATOR MOTOR / COIL					
Motor Type	Belt Drive	Belt Drive	Belt Drive	Belt Drive	Belt Drive
Indoor Nominal CFM	3,000	3,000	3,000	3,000	3,000
Indoor Motor FLA (Cooling)	7.8	3.9	5.0	2.5	2.3
Horsepower / RPM	2.0 / 1725	2.0 / 1725	1.5 / 1745	1.5 / 1745	1.5 / 1725
Piston Size (Cooling)	0.076	0.076	0.078	0.078	0.078
Filter Size (Qty)	(4) 16"x24"x2"	(4) 16"x24"x2"	(4) 16"x20"x2"	(4) 16"x20"x2"	(4) 16"x20"x2"
Drain Size (NPT)	¾"	¾"	¾"	¾"	¾"
R-410A Refrigerant Charge Cir #1 & #2	215 oz.	215 oz.	175 oz.	175 oz.	175 oz.
Evaporator Coil Face Area (ft²)	10.2	10.2	8.9	8.9	8.9
Rows Deep / Fins per Inch	4 / 16	4 / 16	4 / 16	4 / 16	4 / 16
BELT DRIVE EVAP FAN DATA					
# of Wheels (D x W)	1 (15" x 12")	1 (15" x 12")	1 (15" x 12")	1 (15" x 12")	1 (15" x 12")
Motor Sheave / Blower Sheave	VL40 / AK74	VL40 / AK74	VL40 / AK74	VL40 / AK74	VL40 / AK74
Belt	AX51	AX51	AX51	AX51	AX51
CONDENSER FAN / COIL					
Quantity of Condenser Fan Motors	2	2	2	2	2
Horsepower - RPM	¼ - 1090	¼ - 890	¼ - 1075	¼ - 890	¼ - 1,075
Fan Diameter / # Fan Blades	22 / 4	22 / 4	22 / 4	22 / 4	22 / 4
Outdoor Nominal CFM	7,600	7,600	7,600	7,600	7,600
Face Area (ft²)	32.4	32.4	26.5	26.5	26.5
Rows Deep / Fins per Inch	2 / 20	2 / 20	2 / 22	2 / 22	2 / 22
COMPRESSOR					
Quantity / Type	2 / Scroll	2 / Scroll	2 / Scroll	2 / Scroll	2 / Scroll
Stage	1	1	1	1	1
ELECTRICAL DATA					
Voltage-Phase-Frequency	208/230-3-60	460-3-60	208/230-3-60	460-3-60	575-3-60
Quantity of Compressors	2	2	2	2	2
Compressor RLA / LRA	13.1 / 83.1	6.1 / 41.0	13.1 / 83.1	6.1 / 41.0	4.4 / 33.0
Max External Static	1.5"	1.5"	1.0"	1.0"	1.0"
Outdoor Fan HP / RLA	(2) ¼ / 1.4	(2) ¼ / 0.8	(2) ¼ / 1.4	(2) ¼ / 0.8	(2) ¼ / 0.6
Total Unit Amps	36.9	17.7	34.0	16.3	12.3
Min. Circuit Ampacity ¹	40	19	37.3	17.8	13.4
Max. Overcurrent Protection (amps) ²	50	25	50	20	15
Entrance Power Supply	Locating Dimple	Locating Dimple	Locating Dimple	Locating Dimple	Locating Dimple
Entrance Control Voltage					
OPERATING WEIGHT (LBS)	1110	1110	975	975	975
SHIP WEIGHT (LBS)	1150	1150	1000	1000	1000

¹ Wire size should be determined in accordance with National Electrical Codes. Extensive wire runs will require larger wire sizes.

² May use fuses or HACR-type circuit breakers of the same size as noted.

Note: Always check the S&R plate for electrical data on the unit being installed.

PRODUCT SPECIFICATIONS — 8½ TONS

	CPC102 XXX3BXXX	CPC102 XXX4BXXX	CPC102 XXX7BXXX
COOLING CAPACITY			
Total, BTU/h	102,000	102,000	102,000
Sensible BTU/h	70,380	70,380	70,380
EER / IEER	11.3 / 11.2	11.3 / 11.2	11.3 / 11.2
Decibels	83	83	83
ARI Reference #s	3620220	3620220	3620220
EVAPORATOR MOTOR / COIL			
Motor Type	Belt Drive	Belt Drive	Belt Drive
Indoor Nominal CFM	3,400	3,400	3,400
Indoor Motor FLA (Cooling)	7.8	3.9	2.3
Horsepower - RPM	1725	1725	1725
Piston Size (Cooling)	0.08	0.08	0.08
Filter Size (Qty)	(4) 16" x 20" x 2"	(4) 16" x 20" x 2"	(4) 16" x 20" x 2"
Drain Size (NPT)	3/4"	3/4"	3/4"
R-410A Refrigerant Charge Cir #1 & #2	180 oz.	180 oz.	180 oz.
Evaporator Coil Face Area (ft2)	8.9	8.9	8.9
Rows Deep / Fins per Inch	4 / 16	4 / 16	4 / 16
BELT DRIVE EVAP FAN DATA			
# of Wheels (D x W)	1 (15" x 12")	1 (15" x 12")	1 (15" x 12")
Motor Sheave / Blower Sheave	VL40 / AK74	VL40 / AK74	VL40 / AK74
Belt	AX51	AX51	AX51
CONDENSER FAN / COIL			
Quantity of Condenser Fan Motors	2	2	2
Horsepower - RPM	1/4" - 1,090	1/4" - 890	1/4" - 1,075
Fan Diameter / # Fan Blades	22 / 4	22 / 4	22 / 4
Outdoor Nominal CFM	7,600	7,600	7,600
Face Area (ft2)	13.25	13.25	13.25
Rows Deep / Fins per Inch	2 / 22	2 / 22	2 / 22
COMPRESSOR			
Quantity / Type	2 / Scroll	2 / Scroll	2 / Scroll
Stage	1	1	1
ELECTRICAL DATA / STATIC			
Voltage / Phase / Frequency	230 / 3 / 60	460 / 3 / 60	575 / 3 / 60
Quantity of Compressors	2	2	2
Compressor RLA / LRA ea.	14.5 / 98	6.3 / 55	6.0 / 41
Standard Max Static	1"	1	1
Outdoor Fan FLA ea.	1.4	0.8	0.6
Total Unit Amps	39.6	18.1	15.5
Min. Circuit Ampacity ¹	43.2	19.7	17
Max. Overcurrent Protection (amps) ²	50	25	20
Entrance Power Supply	Locating Dimple	Locating Dimple	Locating Dimple
Entrance Control Voltage			
OPERATING WEIGHT (LBS)	975	975	975
SHIP WEIGHT (LBS)	1000	1000	1000

¹ Wire size should be determined in accordance with National Electrical Codes. Extensive wire runs will require larger wire sizes.

² May use fuses or HACR-type circuit breakers of the same size as noted.

Note: Always check the S&R plate for electrical data on the unit being installed.

PRODUCT SPECIFICATIONS — 10 TONS

	CPC120 XXX3BXXX	CPC120 XXX4BXXX	CPC120 XXX7BXXX
COOLING CAPACITY			
Total BTU/h	118,000	118,000	118,000
Sensible BTU/h	87,300	87,300	87,300
EER / IEER	11.5 / 11.2	11.5 / 11.2	11.5 / 11.2
Decibels	83.0	83.0	83.0
ARI Reference #s	3023833	3023833	3023833
EVAPORATOR MOTOR / COIL			
Motor Type	Belt Drive	Belt Drive	Belt Drive
Indoor Nominal CFM	4,000	4,000	4,000
Indoor motor FLA (Cooling)	7.8	3.9	2.7
Horsepower - RPM	2.0/1725	2.0/1725	2.0/1725
Piston Size (Cooling)	0.086	0.086	0.086
Filter Size (Qty)	(4) 16" x 24" x 2"	(4) 16" x 24" x 2"	(4) 16" x 24" x 2"
Drain Size (NPT)	¾"	¾"	¾"
R-410A Refrigerant Charge Cir #1 & #2	220 oz.	220 oz.	220 oz.
Evaporator Coil Face Area (ft ²)	10.2	10.2	10.2
Rows Deep / Fins per Inch	4 / 14	4 / 14	4 / 14
BELT DRIVE EVAP FAN DATA			
# of Wheels (D x W)	(1) 15" x 15"	(1) 15" x 15"	(1) 15" x 15"
Motor Sheave / Blower Sheave	VL40 / AK74	VL40 / AK74	VL40 / AK74
Belt	AX51	AX51	AX51
CONDENSER FAN / COIL			
Quantity of Condenser Fan Motors	2	2	2
Horsepower - RPM	½ - 1,075	½ - 1,075	½ - 1,075
Fan Diameter / # Fan Blades	22 / 3	22 / 3	22 / 3
Outdoor Nominal CFM	7,200	7,200	7,200
Face Area (ft ²)	32.4	32.4	32.4
Rows Deep - Fins per Inch	2/2 rows - 22 fpi	2/2 rows - 22 fpi	2/2 rows - 22 fpi
COMPRESSOR			
Quantity / Type	2 / Scroll	2 / Scroll	2 / Scroll
Stage	1	1	1
ELECTRICAL DATA			
Voltage/Phase/ Frequency	208-230/3/60	460/3/60	575/3/60
Quantity of Compressors	2	2	2
Compressor RLA / LRA ea.	16/110.0	7.8/52.0	5.7/38.9
Standard Max Static	2.0"	2.0"	2.0"
Outdoor Fan RLA ea.	2.40	1.20	0.89
Total Unit Amps	45	22	16
Min. Circuit Ampacity ¹	49	24	17
Max. Overcurrent Protection (amps) ²	60.0	30	20
Entrance Power Supply	Locating Dimple	Locating Dimple	Locating Dimple
Entrance Control Voltage			
OPERATING WEIGHT (LBS)	1135	1135	1135
SHIP WEIGHT (LBS)	1175	1175	1175

¹ Wire size should be determined in accordance with National Electrical Codes. Extensive wire runs will require larger wire sizes.

² May use fuses or HACR-type circuit breakers of the same size as noted.

Note: Always check the S&R plate for electrical data on the unit being installed.

PRODUCT SPECIFICATIONS — 12½ TONS

	CPC150XXX 3BXXX	CPC150XXX 4BXXX	CPC150XXX 7BXXX
COOLING CAPACITY			
Total, BTU/h	146,000	146,000	146,000
Sensible BTU/h	102,200	102,200	102,200
EER / IPLV	11.0 / 11.2	11.0 / 11.2	11.0 / 11.2
Decibels	83	83	83
ARI Reference #s	3542680	3542680	3542680
EVAPORATOR MOTOR / COIL			
Motor Type	Belt Drive	Belt Drive	Belt Drive
Indoor Nominal CFM	5,000	5,000	5,000
Indoor Motor FLA (Cooling)	9.4	4.7	4.2
Horsepower - RPM	3.0 - 1,725	3.0 - 1,725	3.0 - 1,725
Piston Size (Cooling)	0.096	0.096	0.096
Filter Size	(4) 20" x 25" x 2"	(4) 20" x 25" x 2"	(4) 20" x 25" x 2"
Drain Size (NPT)	¾"	¾"	¾"
R-410A Refrigerant Charge Cir #1 & #2	285 oz.	285 oz.	285 oz.
Evaporator Coil Face Area (ft²)	14.7	14.7	14.7
Rows Deep / Fins per Inch	4 / 15	4 / 15	4 / 15
CONDENSER FAN / COIL			
Quantity of condenser Fan Motors	2	2	2
Horsepower - RPM	½ - 1,075	½ - 1,075	½ - 1,075
Fan Diameter / # Fan Blades	22/3	22/3	22/3
Outdoor Nominal CFM	7,200	7,200	7,200
Face Area (ft²)	35.3	35.3	35.3
Rows Deep / Fins per Inch	2/3 rows 15 fpi	2/3 rows 15 fpi	2/3 rows 15 fpi
BELT DRIVE EVAP FAN DATA			
# of Wheels (D x W)	(1) 15" x 15"	(1) 15" x 15"	(1) 15" x 15"
Motor Sheave / Blower Sheave	VL40 / AK66	VL40 / AK66	VL40 / AK66
Belt	AX49	AX49	AX49
COMPRESSOR			
Quantity / Type	1 / Scroll	1 / Scroll	1 / Scroll
Stage	Single	Single	Single
Compressor RLA / LRA ea.	22.4 / 149	10.6 / 75	7.7 / 54
ELECTRICAL DATA / STATIC			
Voltage / Phase / Frequency	208-230/3/60	460/3/60	575/3/60
Outdoor Fan FLA ea.	2.4	1.2	0.9
Total Unit Amps	59	28	21.4
Min. Circuit Ampacity ¹	65	31	23
Max. Overcurrent Protection (amps) ²	80	40	30
Entrance Power Supply	Locating Dimple	Locating Dimple	Locating Dimple
Entrance Control Voltage			
OPERATING WEIGHT (LBS)	1275	1275	1275
SHIP WEIGHT (LBS)	1300	1300	1300

¹ Wire size should be determined in accordance with National Electrical Codes. Extensive wire runs will require larger wire sizes.

² May use fuses or HACR-type circuit breakers of the same size as noted.

Note: Always check the S&R plate for electrical data on the unit being installed.

AIRFLOW DATA — 7½ TONS

STANDARD BELT DRIVE — DOWN SHOT

ESP (" W.C.)	TURNS OPEN																	
	0			1			2			3			4			5		
	CFM	RPM	BHP	CFM	RPM	BHP	CFM	RPM	BHP	CFM	RPM	BHP	CFM	RPM	BHP	CFM	RPM	BHP
0.1													3617	704	1.07	3293	653	0.84
0.3										3541	749	1.15	3179	704	0.88	2757	656	0.66
0.5							3447	798	1.23	3049	754	0.94	2606	710	0.71			
0.7				3400	848	1.33	2950	798	1.01	2474	754	0.75						
0.9	3303	890	1.41	2871	848	1.11	2408	804	0.82									
1.1	2838	897	1.23															

HIGH-STATIC BELT DRIVE — DOWN SHOT (FOR A MODELS ONLY)

ESP (" W.C.)	TURNS OPEN																	
	0			1			2			3			4			5		
	CFM	RPM	BHP	CFM	RPM	BHP	CFM	RPM	BHP	CFM	RPM	BHP	CFM	RPM	BHP	CFM	RPM	BHP
0.9																3401	909	1.51
1.1													3428	965	1.71	2943	915	1.3
1.3										3471	1015	1.9	3012	971	1.5	2423	920	1.12
1.5							3722	1063	2.25	3041	1023	1.67	2503	976	1.31			
1.7							3359	1075	2.04	2540	1031	1.5						
1.9				3381	1119	2.22	2890	1080	1.78									
2.1				3089	1129	2.04												

STANDARD BELT DRIVE — HORIZONTAL

ESP (" W.C.)	TURNS OPEN																	
	0			1			2			3			4			5		
	CFM	RPM	BHP	CFM	RPM	BHP	CFM	RPM	BHP	CFM	RPM	BHP	CFM	RPM	BHP	CFM	RPM	BHP
0.1													3625	701	1.08	3309	660	0.86
0.3							3815	797	1.44	3468	747	1.11	3177	703	0.88	2796	663	0.68
0.5				3780	841	1.52	3405	803	1.23	3053	753	0.94	2608	709	0.68	2225	665	0.53
0.7	3687	885	1.6	3327	847	1.29	2968	805	1.02	2423	758	0.73						
0.9	3236	891	1.39	2850	852	1.1	2352	807	0.8									
1.1	2713	896	1.17															

HIGH-STATIC BELT DRIVE — HORIZONTAL (FOR A MODELS ONLY)

ESP (" W.C.)	TURNS OPEN																	
	0			1			2			3			4			5		
	CFM	RPM	BHP	CFM	RPM	BHP	CFM	RPM	BHP	CFM	RPM	BHP	CFM	RPM	BHP	CFM	RPM	BHP
0.9																3447	902	1.54
1.1													3398	956	1.65	3006	908	1.31
1.3										3486	1008	1.87	2960	962	1.44			
1.5							3514	1057	2.07	2949	1019	1.62						
1.7				3388	1103	2.18	3036	1069	1.84									
1.9				2959	1114	2.0												
2.1				2527	1124	1.86												

Notes :

Assume dry coil with filter in place; CFM correction for wet coil = 3%

Any adjustment made to the blower should not cause the motor to draw more than the motor rated RLA. Applications that exceed the above could require a larger motor. Minimum rated SCFM is 350 per ton.

AIRFLOW DATA — 8½ TONS

STANDARD BELT DRIVE — DOWN SHOT

ESP (" W.C.)	TURNS OPEN																	
	0			1			2			3			4			5		
	CFM	RPM	BHP	CFM	RPM	BHP	CFM	RPM	BHP	CFM	RPM	BHP	CFM	RPM	BHP	CFM	RPM	BHP
0.1													3467	701	1.04	3143	650	0.81
0.3										3391	746	1.12	3029	701	0.85	2607	653	0.63
0.5							3297	795	1.20	2899	751	0.91	2456	707	0.68			
0.7				3250	845	1.30	2800	795	0.98									
0.9	3153	887	1.38	2721	845	1.08												
1.1	2688	894	1.20															

HIGH-STATIC BELT-DRIVE — DOWN SHOT

ESP (" W.C.)	TURNS OPEN																	
	0			1			2			3			4			5		
	CFM	RPM	BHP	CFM	RPM	BHP	CFM	RPM	BHP	CFM	RPM	BHP	CFM	RPM	BHP	CFM	RPM	BHP
0.9																3251	906	1.48
1.1													3278	962	1.68	2793	912	1.27
1.3										3321	1012	1.87	2862	968	1.47			
1.5							3572	1060	2.22	2891	1020	1.64						
1.7							3209	1072	2.01									
1.9				3231	1116	2.19	2740	1077	1.75									
2.1	3256	1156	2.31	2939	1126	2.01												

STANDARD BELT DRIVE — HORIZONTAL

ESP (" W.C.)	TURNS OPEN																	
	0			1			2			3			4			5		
	CFM	RPM	BHP	CFM	RPM	BHP	CFM	RPM	BHP	CFM	RPM	BHP	CFM	RPM	BHP	CFM	RPM	BHP
0.1													3475	698	1.05	3159	657	0.83
0.3							3665	794	1.41	3318	744	1.08	3027	700	0.85	2646	660	0.65
0.5				3630	838	1.49	3255	800	1.2	2903	750	0.91	2458	706	0.65			
0.7	3537	882	1.57	3177	844	1.26	2818	802	0.99									
0.9	3086	888	1.36	2700	849	1.07												
1.1	2563	893	1.14															

HIGH-STATIC BELT-DRIVE — HORIZONTAL

ESP (" W.C.)	TURNS OPEN																	
	0			1			2			3			4			5		
	CFM	RPM	BHP	CFM	RPM	BHP	CFM	RPM	BHP	CFM	RPM	BHP	CFM	RPM	BHP	CFM	RPM	BHP
0.9																3297	899	1.51
1.1													3248	953	1.62	2856	905	1.28
1.3										3336	1005	1.84	2810	959	1.41			
1.5							3364	1054	2.04	2799	1016	1.59						
1.7				3238	1100	2.15	2886	1066	1.81									
1.9	3188	1146	2.23	2809	1111	1.97												

Notes :

Assume dry coil with filter in place; CFM correction for wet coil = 3%

Any adjustment made to the blower should not cause the motor to draw more than the motor rated RLA. Applications that exceed the above could require a larger motor. Minimum rated SCFM is 350 per ton.

AIRFLOW DATA — 10 TONS

STANDARD BELT-DRIVE — DOWN SHOT

ESP (" W.C.)	TURNS OPEN																	
	0			1			2			3			4			5		
	CFM	RPM	BHP	CFM	RPM	BHP	CFM	RPM	BHP	CFM	RPM	BHP	CFM	RPM	BHP	CFM	RPM	BHP
0.2							4632	781	1.76	4203	742	1.41	3927	691	1.17	3510	658	0.9
0.4				4488	825	1.85	4183	783	1.54	3733	748	1.23	3512	693	1			
0.6	4442	880	2.02	4066	830	1.63	3717	786	1.31									
0.8	4001	885	1.77	3622	835	1.41												
1	3603	890	1.55															
1.2																		

HIGH-STATIC BELT-DRIVE — DOWN SHOT

ESP (" W.C.)	TURNS OPEN																	
	0			1			2			3			4			5		
	CFM	RPM	BHP	CFM	RPM	BHP	CFM	RPM	BHP	CFM	RPM	BHP	CFM	RPM	BHP	CFM	RPM	BHP
0.8													4435	940	2.22	4078	886	1.82
1										4462	997	2.47	4103	945	2.05	3539	892	1.52
1.2							4513	1054	2.75	4127	1003	2.26	3568	950	1.71			
1.4							4126	1064	2.52	3597	1008	1.92						
1.6				4438	1116	2.97	3759	1069	2.25									
1.8				3956	1124	2.55												
2	4050	1179	3.05	3473	1132	2.32												

STANDARD BELT-DRIVE — HORIZONTAL

ESP (" W.C.)	TURNS OPEN																	
	0			1			2			3			4			5		
	CFM	RPM	BHP	CFM	RPM	BHP	CFM	RPM	BHP	CFM	RPM	BHP	CFM	RPM	BHP	CFM	RPM	BHP
0.2										4562	736	1.58	4253	691	1.29	3893	642	1
0.4							4497	780	1.7	4200	736	1.41	3735	691	1.06	3322	648	0.83
0.6				4467	824	1.81	4221	784	1.55	3689	741	1.18						
0.8	4564	873	2.06	4170	830	1.68	3677	785	1.29									
1	4129	875	1.81	3498	835	1.34												
1.2	3558	879	1.49															

HIGH-STATIC BELT-DRIVE — HORIZONTAL

ESP (" W.C.)	TURNS OPEN																	
	0			1			2			3			4			5		
	CFM	RPM	BHP	CFM	RPM	BHP	CFM	RPM	BHP	CFM	RPM	BHP	CFM	RPM	BHP	CFM	RPM	BHP
0.8																4602	884	2.13
1													4749	940	2.44	4180	885	1.89
1.2													4251	945	2.12	3642	896	1.58
1.4										4443	1001	2.5	3744	951	1.8			
1.6							4587	1056	2.82	3971	1006	2.17						
1.8				4760	1105	3.23	4071	1061	2.43	3342	1012	1.86						
2				4364	1114	2.91	3579	1067	2.05									

Notes :

Assume dry coil with filter in place; CFM correction for wet coil = 3%

Any adjustment made to the blower should not cause the motor to draw more than the motor rated RLA. Applications that exceed the above could require a larger motor. Minimum rated SCFM is 350 per ton.

AIRFLOW DATA — 12½ TONS

STANDARD BELT DRIVE --- DOWN SHOT

ESP (" W.C.)	TURNS OPEN											
	0		1		2		3		4		5	
	CFM	BHP	CFM	BHP	CFM	BHP	CFM	BHP	CFM	BHP	CFM	BHP
0.2					5378	2.35	4967	1.92	4710	1.59	4512	1.33
0.4	5514	2.92	5349	2.56	4750	1.97	4583	1.71	4319	1.40	4030	1.13
0.6	5204	2.69	4919	2.27	4488	1.81	4258	1.54				
0.8	4830	2.42	4649	2.09	4019	1.55						
1.0	4497	2.19	4264	1.86								

HIGH-STATIC BELT DRIVE --- DOWN SHOT

ESP (" W.C.)	TURNS OPEN											
	0		1		2		3		4		5	
	CFM	BHP	CFM	BHP	CFM	BHP	CFM	BHP	CFM	BHP	CFM	BHP
0.8							5978	3.87	5691	3.38	5324	2.81
1.0					5947	4.16	5656	3.58	5376	3.12	4933	2.52
1.2					5708	3.93	5459	3.40	4950	2.79	4441	2.18
1.4	5776	4.64	5510	4.07	5245	3.48	4844	2.88	4525	2.45		
1.6	5465	4.30	5199	3.74	4894	3.17	4404	2.54				
1.8	5145	3.97	4871	3.41	4495	2.83						
2.0	4805	3.63	4565	3.13	4142	2.55						
2.2	4429	3.27	4233	2.85								

STANDARD BELT DRIVE --- HORIZONTAL

ESP (" W.C.)	TURNS OPEN											
	0		1		2		3		4		5	
	CFM	BHP	CFM	BHP	CFM	BHP	CFM	BHP	CFM	BHP	CFM	BHP
0.2							5570	2.27	4935	1.70	4584	1.36
0.4	5871	3.20	5639	2.77	5307	2.31	4902	1.88	4637	1.55	4178	1.19
0.6	5610	3.00	5358	2.57	5051	2.15	4603	1.72	4341	1.41		
0.8	5391	2.83	5010	2.33	4799	2.00	4393	1.61				
1.0	5078	2.59	4676	2.11	4448	1.79						
1.2	4521	2.20	4226	1.83								

HIGH-STATIC BELT DRIVE --- HORIZONTAL

ESP (" W.C.)	TURNS OPEN												
	0		1		2		3		4		5		
	CFM	BHP	CFM	BHP	CFM	BHP	CFM	BHP	CFM	BHP	CFM	BHP	
0.8									5858	3.51	5538	2.97	
1.0								5894	3.85	5502	3.20	5282	2.78
1.2					5780	4.04	5570	3.55	5110	2.88	4869	2.47	
1.4			5900	4.49	5501	3.77	5312	3.33	4793	2.64	4598	2.28	
1.6	5860	4.76	5514	4.08	5257	3.54	4945	3.01	4382	2.34			
1.8	5615	4.49	5315	3.88	5020	3.32	4504	2.66					
2.0	5529	4.40	4906	3.49	4601	2.96							
2.2	4938	3.78	4541	3.15	4222	2.65							

NOTES

- Assume dry coil with filter in place; CFM correction for wet coil = 3%
- Any adjustment made to the blower should not cause the motor to draw more than the motor rated RLA. Application that exceed the above could require a larger motor. Minimum rated SCFM is 350 per ton.

HEAT KIT ELECTRICAL DATA (BLOWER ONLY, HEAT MODE) — 7½ TONS (A MODLES)

MODEL AND HEAT KIT USAGE	MCA ¹ AT 208 / 240V	MOP ² (AMPS) AT 208 / 240V	ACTUAL KW AT 240V	RECOMMENDED AIRFLOW RANGE
CPC090XXX3BXXX	40	50		
EHK3-16	48 / 55	50 / 60	15	3000 - 3375 CFM
EHK3-30	87 / 100	90 / 100	30	3000 - 3375 CFM
EHK3-45	121 / 139	125 / 150	43	3000 - 3375 CFM

MODEL AND HEAT KIT USAGE	MCA ¹ AT 480V	MOP ² (AMPS) AT 480V	ACTUAL KW AT 480V	RECOMMENDED AIRFLOW RANGE
CPC090XXX4BXXX	19	25		
EHK4-16	27	30	15	3000 - 3375 CFM
EHK4-30	50	50	30	3000 - 3375 CFM
EHK4-45	70	70	43	3000 - 3375 CFM

MODEL AND HEAT KIT USAGE	MCA ¹ AT 575V	MOP ² (AMPS) AT 575V	ACTUAL KW AT 575V	RECOMMENDED AIRFLOW RANGE
CPC090XXX7BXXX	14	15		
EHK7-16	22	25	15	---
EHK7-30	41	45	30	---
EHK7-45	57	60	43	---

¹ Minimum Circuit Ampacity

² Maximum Overcurrent Protection device

KW CORRECTION FACTORS

KW CORRECTION FACTOR (FOR 1- & 3-PHASE UNITS)					
SUPPLY VOLTAGE	240	230	220	210	208
CORRECTION FACTOR	1	0.93	0.82	0.78	0.76

KW CORRECTION FACTOR (FOR 480V UNITS)			
SUPPLY VOLTAGE	460	440	430
CORRECTION FACTOR	0.92	0.84	0.8

For other voltage, use $\text{voltage}^2 / 480^2$

KW CORRECTION FACTOR (FOR 575V UNITS)			
SUPPLY VOLTAGE	560	550	540
CORRECTION FACTOR	0.95	0.91	0.88

Multiply rated kW by correction factor to get actual kW.

MINIMUM AIRFLOW FOR ELECTRIC HEAT

HEATER SIZE (kW)	MINIMUM CFM
15	3,000
30	3,000
43	3,000

HEAT KIT ELECTRICAL DATA (BLOWER ONLY, HEAT MODE) — 7½ TONS (B MODLES)

MODEL AND HEAT KIT USAGE	MCA ¹ AT 240V	MOP ² (AMPS) AT 240V	ACTUAL KW AT 240V	RECOMMENDED AIRFLOW RANGE
CPC090XXX3BXXX	37	50		
EHK3-16	51	60	15	3000 - 3375 CFM
EHK3-30	97	100	30	3000 - 3375 CFM
EHK3-45	136	150	43	3000 - 3375 CFM

MODEL AND HEAT KIT USAGE	MCA ¹ AT 480V	MOP ² (AMPS) AT 480V	ACTUAL KW AT 480V	RECOMMENDED AIRFLOW RANGE
CPC090XXX4BXXX	18	20		
EHK4-16	26	30	15	3000 - 3375 CFM
EHK4-30	48	50	30	3000 - 3375 CFM
EHK4-45	68	70	43	3000 - 3375 CFM

MODEL AND HEAT KIT USAGE	MCA ¹ AT 575V	MOP ² (AMPS) AT 575V	ACTUAL KW AT 575V	RECOMMENDED AIRFLOW RANGE
CPC090XXX7BXXX	13	15		
EHK7-16	22	25	15	3000 - 3375 CFM
EHK7-30	41	45	30	3000 - 3375 CFM
EHK7-45	57	60	43	3000 - 3375 CFM

¹ Minimum Circuit Ampacity

² Maximum Overcurrent Protection device

KW CORRECTION FACTORS

kW CORRECTION FACTOR (FOR 1- & 3-PHASE UNITS)					
SUPPLY VOLTAGE	240	230	220	210	208
CORRECTION FACTOR	1	0.93	0.82	0.78	0.76

kW CORRECTION FACTOR (FOR 480V UNITS)			
SUPPLY VOLTAGE	460	440	430
CORRECTION FACTOR	0.92	0.84	0.8

For other voltage, use $\text{voltage}^2 / 480^2$

kW CORRECTION FACTOR (FOR 575V UNITS)			
SUPPLY VOLTAGE	560	550	540
CORRECTION FACTOR	0.95	0.91	0.88

Multiply rated kW by correction factor to get actual kW.

MINIMUM AIRFLOW FOR ELECTRIC HEAT

HEATER SIZE (kW)	MINIMUM CFM
15	3,000
30	3,000
43	3,000

HEAT KIT ELECTRICAL DATA (BLOWER ONLY, HEAT MODE) — 8½ TONS

MODEL AND HEAT KIT USAGE	MCA ¹ AT 208 / 240V	MOP ² (AMPS) AT 208 / 240V	ACTUAL KW AT 240V	RECOMMENDED AIRFLOW RANGE (DOWNSHOT)	RECOMMENDED AIRFLOW RANGE (HORIZONTAL)
CPC102XXX3BXXX	43	50			
EHK3-16	55	60	15	3400 - 3825 CFM	3400 - 3825 CFM
EHK3-30	100	100	30	3400 - 3825 CFM	3400 - 3825 CFM
EHK3-45	139	150	43	3400 - 3825 CFM	3400 - 3825 CFM

MODEL AND HEAT KIT USAGE	MCA ¹ AT 480V	MOP ² (AMPS) AT 480V	ACTUAL KW AT 480V	RECOMMENDED AIRFLOW RANGE (DOWNSHOT)	RECOMMENDED AIRFLOW RANGE (HORIZONTAL)
CPC102XXX4BXXX	20	25			
EHK4-16	27	30	15	3400 - 3825 CFM	3400 - 3825 CFM
EHK4-30	50	50	30	3400 - 3825 CFM	3400 - 3825 CFM
EHK4-45	70	70	43	3400 - 3825 CFM	3400 - 3825 CFM

MODEL AND HEAT KIT USAGE	MCA ¹ AT 575V	MOP ² (AMPS) AT 575V	ACTUAL KW AT 575V	RECOMMENDED AIRFLOW RANGE (DOWNSHOT)	RECOMMENDED AIRFLOW RANGE (HORIZONTAL)
CPC102XXX7BXXX	17	20			
EHK7-16	22	25	15	3400 - 3825 CFM	3400 - 3825 CFM
EHK7-30	41	45	30	3400 - 3825 CFM	3400 - 3825 CFM
EHK7-45	57	60	43	3400 - 3825 CFM	3400 - 3825 CFM

¹ Minimum Circuit Ampacity

² Maximum Overcurrent Protection device

^ - EHK Heater Kits above require a three-phase power supply

KW CORRECTION FACTORS

KW CORRECTION FACTOR (FOR 1- & 3-PHASE UNITS)					
SUPPLY VOLTAGE	240	230	220	210	208
CORRECTION FACTOR	1	0.93	0.82	0.78	0.76

KW CORRECTION FACTOR (FOR 480V UNITS)			
SUPPLY VOLTAGE	460	440	430
CORRECTION FACTOR	0.92	0.84	0.8

For other voltage, use $\text{voltage}^2 / 480^2$

KW CORRECTION FACTOR (FOR 575V UNITS)			
SUPPLY VOLTAGE	560	550	540
CORRECTION FACTOR	0.95	0.91	0.88

Multiply rated kW by correction factor to get actual kW.

HEAT KIT ELECTRICAL DATA (BLOWER ONLY, HEAT MODE) — 10 TONS

MODEL AND HEAT KIT USAGE	MCA ¹ AT 208 / 240V	MOP ² (AMPS) AT 208 / 240V	ACTUAL KW AT 240V	RECOMMENDED AIRFLOW RANGE
CPC120XXX3BXXX	49	60		
EHK3-16	48 / 55	50 / 60	15	3500 - 4500 CFM
EHK3-30	87 / 100	90 / 100	30	3500 - 4500 CFM
EHK3-45	121 / 139	125 / 150	43	4000 - 4500 CFM
MODEL AND HEAT KIT USAGE	MCA ¹ AT 208 / 240V	MOP ² (AMPS) AT 208 / 240V	ACTUAL KW AT 240V	RECOMMENDED AIRFLOW RANGE
CPC120XXX3HXXX	50	60		
EHK3-16	49 / 57	50 / 60	15	3500 - 4500 CFM
EHK3-30	88 / 102	90 / 110	30	3500 - 4500 CFM
EHK3-45	122 / 141	125 / 150	43	4000 - 4500 CFM

MODEL AND HEAT KIT USAGE	MCA ¹ AT 480V	MOP ² (AMPS) AT 480V	ACTUAL KW AT 480V	RECOMMENDED AIRFLOW RANGE
CPC120XXX4BXXX	24	30		
EHK4-16	27	30	15	3500 - 4500 CFM
EHK4-30	50	50	30	3500 - 4500 CFM
EHK4-45	70	70	43	4000 - 4500 CFM

MODEL AND HEAT KIT USAGE	MCA ¹ AT 575V	MOP ² (AMPS) AT 575V	ACTUAL KW AT 575V	RECOMMENDED AIRFLOW RANGE
CPC0120XXX7BXXX	17	20		
EHK7-16	22	25	15	3500 - 4500 CFM
EHK7-30	41	45	30	3500 - 4500 CFM
EHK7-45	57	60	43	4000 - 4500 CFM

¹ Minimum Circuit Ampacity

² Maximum Overcurrent Protection device

kW CORRECTION FACTOR

kW CORRECTION FACTOR (FOR 1- & 3-PHASE UNITS)					
Supply Voltage	240	230	220	210	208
Correction Factor	1	0.93	0.82	0.78	0.76

kW CORRECTION FACTOR FOR 480V UNITS			
Actual Voltage	460	440	430
Correction Factor	0.92	0.84	0.8

For other voltage use $\text{voltage}^2 / 480^2$

kW CORRECTION FACTOR FOR 575V UNITS			
Supply Voltage	560	550	540
Correction Factor	0.95	0.91	0.88

Multiply rated kW by correction factor to get actual kW

MINIMUM AIRFLOW FOR ELECTRIC HEAT

HEATER SIZE (kW)	MIN. CFM DOWN-SHOT	MIN. CFM HORIZONTAL
15	4,000	4,000
30	4,000	4,000
43	4,000	4,000

HEAT KIT ELECTRICAL DATA (BLOWER ONLY, HEAT MODE) — 12½ TONS

MODEL AND HEAT KIT USAGE	MCA ¹ AT 208 / 240V	MOP ² (AMPS) AT 208 / 240V	ACTUAL kW AT 240V	RECOMMENDED AIRFLOW RANGE
CPC150***3B***	65	80		
EHK3-16	65	80	15	4000 - 5600
EHK3-30	102	110	30	4300 - 5600
EHK3-45	141	150	43	4500 - 5600

MODEL AND HEAT KIT USAGE	MCA ¹ AT 208 / 240V	MOP ² (AMPS) AT 208 / 240V	ACTUAL kW AT 240V	RECOMMENDED AIRFLOW RANGE
CPC150***4B***	31	40		
EHK4-16	31	40	15	4000 - 5600
EHK4-30	51	60	30	4300 - 5600
EHK4-45	71	80	43	4500 - 5600

MODEL AND HEAT KIT USAGE	MCA ¹ AT 208 / 240V	MOP ² (AMPS) AT 208 / 240V	ACTUAL kW AT 240V	RECOMMENDED AIRFLOW RANGE
CPC150***7B***	23	30		
EHK7-16	24	30	15	4000 - 5600
EHK7-30	43	45	30	4300 - 5600
EHK7-45	59	60	43	4500 - 5600

¹ Minimum Circuit Ampacity (standard drive)

² Maximum Overcurrent Protection device (standard drive)

KW CORRECTION FACTORS

kW CORRECTION FACTOR (FOR 1- & 3-PHASE UNITS)					
SUPPLY VOLTAGE	240	230	220	210	208
CORRECTION FACTOR	1	0.93	0.82	0.78	0.76

kW CORRECTION FACTOR (FOR 480V UNITS)			
SUPPLY VOLTAGE	460	440	430
CORRECTION FACTOR	0.92	0.84	0.8

For other voltage, use $\text{voltage}^2 / 480^2$

kW CORRECTION FACTOR (FOR 575V UNITS)			
SUPPLY VOLTAGE	560	550	540
CORRECTION FACTOR	0.95	0.91	0.88

Multiply rated kW by correction factor to get actual kW.

EXPANDED COOLING DATA — 7½ TONS (A MODELS)

IDB	AIRFLOW	OUTDOOR AMBIENT TEMPERATURE																													
		65					75					85					95					105					115				
		59	63	67	71	75	59	63	67	71	75	59	63	67	71	75	59	63	67	71	75	59	63	67	71	75	59	63	67	71	75
70	3375	MBh	88.2	91.4	100.2	-	86.1	89.3	97.8	-	84.1	87.2	95.5	-	82.0	85.0	93.2	-	77.9	80.8	88.5	-	72.2	74.8	82.0	-					
		S/T	0.73	0.61	0.42	-	0.76	0.63	0.44	-	0.78	0.65	0.45	-	0.80	0.67	0.47	-	0.83	0.70	0.48	-	0.84	0.70	0.49	-					
		ΔT	18	15	12	-	18	15	12	-	18	15	12	-	18	16	12	-	18	15	12	-	17	14	11	-					
		kW	6.19	6.32	6.50	-	6.64	6.77	6.98	-	7.03	7.17	7.39	-	7.37	7.53	7.76	-	7.67	7.83	8.08	-	7.92	8.09	8.35	-					
		Amps	20.4	20.8	21.2	-	21.6	22.0	22.5	-	23.0	23.4	24.0	-	24.1	24.6	25.2	-	25.3	25.8	26.5	-	26.5	27.0	27.7	-					
	3000	Hi PR	234	252	266	-	262	282	298	-	298	321	339	-	340	366	386	-	382	411	434	-	422	454	480	-					
		Lo PR	108	115	126	-	114	122	133	-	119	126	138	-	125	133	145	-	131	139	152	-	135	144	157	-					
		MBh	85.6	88.7	97.2	-	83.6	86.7	95.0	-	81.6	84.6	92.7	-	79.7	82.6	90.5	-	75.7	78.4	85.9	-	70.1	72.6	79.6	-					
		S/T	0.70	0.58	0.40	-	0.72	0.61	0.42	-	0.74	0.62	0.43	-	0.77	0.64	0.44	-	0.80	0.66	0.46	-	0.80	0.67	0.46	-					
		ΔT	18	16	12	-	19	16	12	-	19	16	12	-	19	16	12	-	18	16	12	-	17	15	11	-					
2400	kW	6.15	6.27	6.45	-	6.59	6.72	6.92	-	6.98	7.12	7.34	-	7.32	7.47	7.70	-	7.61	7.77	8.01	-	7.86	8.03	8.28	-						
	Amps	20.3	20.6	21.1	-	21.4	21.8	22.4	-	22.8	23.2	23.8	-	24.0	24.4	25.0	-	25.1	25.6	26.3	-	26.3	26.8	27.5	-						
	Hi PR	231	249	263	-	260	279	295	-	295	318	336	-	336	362	382	-	378	407	430	-	418	450	475	-						
	Lo PR	107	114	124	-	113	120	132	-	118	125	137	-	124	132	144	-	130	138	150	-	134	143	156	-						
	MBh	79.0	81.9	89.7	-	77.2	80.0	87.7	-	75.4	78.1	85.6	-	73.5	76.2	83.5	-	69.8	72.4	79.3	-	64.7	67.1	73.5	-						

IDB	AIRFLOW	OUTDOOR AMBIENT TEMPERATURE																													
		65					75					85					95					105					115				
		59	63	67	71	75	59	63	67	71	75	59	63	67	71	75	59	63	67	71	75	59	63	67	71	75	59	63	67	71	75
75	3375	MBh	89.7	92.3	100.0	107.3	87.6	90.2	97.6	104.8	85.5	88.0	95.3	102.3	83.4	85.9	93.0	99.8	79.3	81.6	88.3	94.8	73.4	75.6	81.8	87.8					
		S/T	0.83	0.75	0.56	0.36	0.86	0.77	0.58	0.38	0.89	0.79	0.60	0.39	0.91	0.82	0.62	0.40	0.95	0.85	0.64	0.41	0.96	0.86	0.65	0.42					
		ΔT	20	19	15	11	21	19	16	11	21	19	16	11	21	19	16	11	21	19	15	11	20	18	14	10					
		kW	6.24	6.36	6.55	6.75	6.69	6.82	7.03	7.25	7.08	7.23	7.45	7.69	7.43	7.59	7.83	8.07	7.73	7.73	7.89	8.14	8.40	7.99	8.16	8.42	8.69				
		Amps	20.5	20.9	21.4	22.0	21.7	22.1	22.7	23.3	23.1	23.5	24.1	24.8	24.3	24.8	25.4	26.2	25.5	26.0	26.7	27.5	26.7	27.2	27.9	28.8					
	3000	Hi PR	236	254	268	280	265	285	301	314	301	324	342	357	343	369	390	407	386	415	439	458	427	459	485	506					
		Lo PR	109	116	127	135	116	123	134	143	120	128	139	149	126	134	146	156	132	141	154	163	137	145	159	169					
		MBh	87.1	89.7	97.0	104.1	85.1	87.6	94.8	101.7	83.0	85.5	92.5	99.3	81.0	83.4	90.3	96.9	77.0	79.2	85.8	92.0	71.3	73.4	79.4	85.3					
		S/T	0.79	0.71	0.54	0.35	0.82	0.74	0.56	0.36	0.84	0.76	0.57	0.37	0.87	0.78	0.59	0.38	0.90	0.81	0.61	0.39	0.91	0.82	0.62	0.40					
		ΔT	21	20	16	11	21	20	16	11	21	20	16	11	22	20.0	16	11	21	20	16	11	20	18	15	10					
2400	kW	6.19	6.32	6.50	6.70	6.64	6.77	6.98	7.19	7.03	7.17	7.39	7.63	7.38	7.53	7.76	8.01	7.67	7.83	8.08	8.34	7.92	8.09	8.35	8.62						
	Amps	20.4	20.8	21.2	21.8	21.6	22.0	22.5	23.1	23.0	23.4	24.0	24.7	24.1	24.6	25.2	26.0	25.3	25.8	26.5	27.3	26.5	27.0	27.7	28.6						
	Hi PR	234	252	266	277	262	282	298	311	298	321	339	354	340	366	386	403	382	411	434	453	422	454	480	501						
	Lo PR	108	115	126	134	114	122	133	141	119	126	138	147	125	133	145	154	131	139	152	162	135	144	157	167						
	MBh	80.4	82.7	89.6	96.1	78.5	80.8	87.5	93.9	76.6	78.9	85.4	91.7	74.8	77.0	83.3	89.4	71.0	73.1	79.2	85.0	65.8	67.7	73.3	78.7						

IDB = Entering Indoor Dry Bulb Temperature
 High and low pressures are measured at the liquid and suction service valves.
 Shaded area reflects ACCA (ITVA) conditions
 kW = Total system power
 Amps = outdoor unit amps (comp.-fan)

EXPANDED COOLING DATA — 7½ TONS (A MODELS CONT.)

IDB	AIRFLOW	OUTDOOR AMBIENT TEMPERATURE																									
		65				75				85				95				105				115					
		59	63	67	71	59	63	67	71	59	63	67	71	59	63	67	71	59	63	67	71	59	63	67	71		
80	3375	MBh	91.3	93.3	99.7	106.5	89.2	91.1	97.3	104.1	87.0	88.9	95.0	101.6	84.9	86.8	92.7	99.1	80.7	82.4	88.1	94.1	74.7	76.4	81.6	87.2	
		S/T	0.91	0.86	0.70	0.52	0.95	0.89	0.72	0.54	1.00	0.91	0.74	0.55	1.00	0.94	0.77	0.57	1.00	1.00	0.79	0.59	1.00	1.00	0.80	0.60	
	3000	ΔT	23	22	19	15	23	22	19	15	24	22	19	15	23	22	19	15	22	21	19	15	20	21	18	14	
		kW	6.29	6.41	6.60	6.80	6.74	6.88	7.08	7.30	7.14	7.29	7.51	7.75	7.49	7.65	7.89	8.14	7.79	7.96	8.21	8.47	8.05	8.22	8.48	8.76	
	2400	Amps	20.7	21.0	21.5	22.1	21.9	22.3	22.8	23.5	23.3	23.7	24.3	25.0	24.5	24.9	25.6	26.3	25.7	26.2	26.9	27.7	26.9	27.4	28.1	29.0	
		Hi PR	238	257	271	283	268	288	304	317	304	328	346	361	347	373	394	411	390	420	443	462	431	464	490	511	
	85	3375	Lo PR	110	118	128	137	117	124	136	144	121	129	141	150	127	136	148	158	134	142	155	165	138	147	160	171
			MBh	88.6	90.6	96.8	103.4	86.6	88.5	94.5	101.0	84.5	86.3	92.3	98.6	82.4	84.2	90.0	96.2	78.3	80.0	85.5	91.4	72.5	74.1	79.2	84.7
		3000	S/T	0.87	0.82	0.67	0.50	0.90	0.85	0.69	0.52	0.93	0.87	0.71	0.53	0.96	0.90	0.73	0.55	0.99	0.93	0.76	0.57	1.00	0.94	0.76	0.57
			ΔT	24	23	20	16	24	23	20	16	24	23	20	16	24	23	20	16	24	23	20	16	22	21	19	15
		2400	kW	6.24	6.36	6.55	6.75	6.69	6.82	7.03	7.25	7.08	7.23	7.45	7.69	7.43	7.59	7.83	8.07	7.73	7.89	8.14	8.40	7.99	8.16	8.42	8.69
			Amps	20.5	20.9	21.4	22.0	21.7	22.1	22.7	23.3	23.1	23.5	24.1	24.8	24.3	24.8	25.4	26.2	25.5	26.0	26.7	27.5	26.7	27.2	27.9	28.8
85		3375	Hi PR	236	254	268	280	265	285	301	314	301	324	342	357	343	369	390	407	386	415	439	458	427	459	485	506
			Lo PR	109	116	127	135	116	123	134	143	120	128	139	149	126	134	147	156	132	141	154	164	137	145	159	169
		3000	MBh	81.8	83.6	89.3	95.5	79.9	81.6	87.2	93.2	78.0	79.7	85.1	91.0	76.1	77.8	83.1	88.8	72.3	73.9	78.9	84.4	67.0	68.4	73.1	78.1
			S/T	0.84	0.79	0.64	0.48	0.87	0.82	0.67	0.50	0.89	0.84	0.68	0.51	0.92	0.86	0.70	0.53	0.96	0.90	0.73	0.55	0.97	0.91	0.74	0.55
		2400	ΔT	26	25	22	18	27	26	22	18	27	26	22	18	27	26	22	18	27	25	22	18	25	24	21	16
			kW	6.10	6.22	6.40	6.60	6.54	6.67	6.87	7.08	6.92	7.06	7.28	7.50	7.26	7.41	7.64	7.88	7.55	7.71	7.95	8.20	7.80	7.96	8.21	8.48
	85	3375	Amps	20.1	20.5	21.0	21.5	21.3	21.7	22.2	22.8	22.6	23.1	23.6	24.3	23.8	24.2	24.9	25.6	25.0	25.4	26.1	26.9	26.1	26.6	27.3	28.1
			Hi PR	229	246	260	271	257	277	292	305	292	315	332	346	333	358	378	395	375	403	426	444	414	445	470	490
		3000	Lo PR	106	113	123	131	112	119	130	139	116	124	135	144	122	130	142	151	128	136	149	159	133	141	154	164
			MBh	92.9	94.7	99.2	105.8	90.7	92.5	96.8	103.3	88.6	90.3	94.5	100.9	86.4	88.1	92.2	98.4	82.1	83.7	87.6	93.5	76.0	77.5	81.2	86.6
		2400	S/T	0.96	0.92	0.83	0.68	0.99	0.96	0.86	0.70	1.00	0.98	0.89	0.72	1.00	1.00	0.92	0.74	1.00	1.00	0.95	0.77	1.00	1.00	0.96	0.78
			ΔT	24	24	23	20	25	24	23	20	24	24	23	20	24	24	23	20	22	23	23	20	21	21	21	18
85		3375	kW	6.33	6.46	6.65	6.85	6.79	6.93	7.14	7.36	7.19	7.34	7.57	7.81	7.55	7.71	7.95	8.20	7.85	8.02	8.27	8.54	8.12	8.29	8.55	8.83
			Amps	20.8	21.2	21.7	22.3	22.0	22.4	23.0	23.6	23.4	23.9	24.5	25.2	24.7	25.1	25.8	26.5	25.9	26.4	27.1	27.9	27.1	27.6	28.4	29.2
		3000	Hi PR	241	259	274	285	270	291	307	320	307	331	349	364	350	377	398	415	394	424	448	467	435	468	495	516
			Lo PR	112	119	130	138	118	125	137	146	122	130	142	152	129	137	149	159	135	143	157	167	139	148	162	173
		2400	MBh	90.2	91.9	96.3	102.7	88.1	89.8	94.0	100.3	86.0	87.6	91.8	97.9	83.9	85.5	89.6	95.5	79.7	81.2	85.1	90.8	73.8	75.2	78.8	84.1
			S/T	0.91	0.88	0.80	0.65	0.95	0.91	0.82	0.67	0.97	0.94	0.85	0.69	1.00	0.97	0.87	0.71	1.00	1.00	0.91	0.74	1.00	1.00	0.91	0.74
	85	3375	ΔT	25	25	23	20	26	25	24	21	26	25	24	21	26	25	24	21	24	25	24	20	23	23	22	19
			kW	6.29	6.41	6.60	6.80	6.74	6.88	7.08	7.30	7.14	7.29	7.51	7.75	7.49	7.65	7.89	8.14	7.79	7.96	8.21	8.47	8.05	8.22	8.48	8.76
		3000	Amps	20.7	21.0	21.5	22.1	21.9	22.3	22.8	23.5	23.3	23.7	24.3	25.0	24.5	24.9	25.6	26.3	25.7	26.2	26.9	27.7	26.9	27.4	28.1	29.0
			Hi PR	238	257	271	283	268	288	304	317	304	328	346	361	347	373	394	411	390	420	443	462	431	464	490	511
		2400	Lo PR	110	118	128	137	117	124	136	144	121	129	141	150	127	136	148	158	134	142	155	165	138	147	160	171
			MBh	83.2	84.8	88.9	94.8	81.3	82.9	86.8	92.6	79.4	80.9	84.7	90.4	77.4	78.9	82.7	88.2	73.6	75.0	78.5	83.8	68.1	69.4	72.7	77.6
85		3375	S/T	0.88	0.85	0.77	0.62	0.91	0.88	0.80	0.65	0.94	0.90	0.82	0.66	0.97	0.93	0.84	0.68	1.00	0.97	0.87	0.71	1.00	0.98	0.88	0.71
			ΔT	28	28	26	23	28	28	26	23	28	28	26	23	29	28	27	23	28	28	26	23	26	26	25	21
		3000	kW	6.15	6.27	6.45	6.65	6.59	6.72	6.92	7.13	6.97	7.12	7.33	7.56	7.32	7.47	7.70	7.94	7.61	7.77	8.01	8.27	7.86	8.02	8.28	8.55
			Amps	20.3	20.6	21.1	21.7	21.4	21.8	22.3	23.0	22.8	23.2	23.8	24.5	24.0	24.4	25.0	25.8	25.1	25.6	26.3	27.1	26.3	26.8	27.5	28.4
		2400	Hi PR	231	249	263	274	260	279	295	308	295	318	335	350	336	362	382	399	378	407	430	448	418	450	475	495
			Lo PR	107	114	124	133	113	120	131	140	118	125	137	146	124	131	144	153	130	138	150	160	134	143	156	166

Shaded area reflects AHRI (TVA) conditions
 kW = Total system power
 Amps = outdoor unit amps (comp.+fan)

IDB = Entering Indoor Dry Bulb Temperature
 High and low pressures are measured at the liquid and suction service valves.

IDB = Entering Indoor Dry Bulb Temperature
 High and low pressures are measured at the liquid and suction service valves.

EXPANDED COOLING DATA — 7½ TONS (B MODELS)

IDB	AIRFLOW	OUTDOOR AMBIENT TEMPERATURE																							
		65				75				85				95				105				115			
		59	63	67	71	59	63	67	71	59	63	67	71	59	63	67	71	59	63	67	71	59	63	67	71
70	MBh	86.2	89.4	97.9	-	84.2	87.3	95.6	-	82.2	85.2	93.4	-	80.2	83.1	91.1	-	76.2	79.0	86.5	-	70.6	73.2	80.2	-
	S/T	0.72	0.60	0.42	-	0.75	0.63	0.43	-	0.77	0.64	0.44	-	0.79	0.66	0.46	-	0.82	0.69	0.48	-	0.83	0.69	0.48	-
	ΔT	17	15	11	-	17	15	11	-	17	15	11	-	17	15	11	-	17	15	11	-	16	14	10	-
	kW	6.27	6.39	6.56	-	6.69	6.82	7.02	-	7.07	7.21	7.42	-	7.40	7.55	7.77	-	7.68	7.83	8.07	-	7.92	8.08	8.33	-
	Amps	21.1	21.4	21.9	-	22.2	22.6	23.1	-	23.6	24.0	24.5	-	24.7	25.1	25.7	-	25.8	26.3	26.9	-	26.9	27.4	28.1	-
	Hi PR	234	252	266	-	262	282	298	-	298	321	339	-	340	366	386	-	382	411	434	-	422	454	480	-
	Lo PR	103	110	120	-	109	116	127	-	114	121	132	-	119	127	139	-	125	133	145	-	129	138	150	-
	MBh	83.7	86.8	95.1	-	81.8	84.8	92.9	-	79.8	82.7	90.7	-	77.9	80.7	88.4	-	74.0	76.7	84.0	-	68.5	71.0	77.8	-
	S/T	0.69	0.58	0.40	-	0.71	0.60	0.41	-	0.73	0.61	0.42	-	0.76	0.63	0.44	-	0.79	0.66	0.45	-	0.79	0.66	0.46	-
	ΔT	18	15	12	-	18	16	12	-	18	16	12	-	18	16	12	-	18	15	12	-	17	14	11	-
	kW	6.23	6.34	6.52	-	6.65	6.77	6.97	-	7.02	7.15	7.36	-	7.34	7.49	7.71	-	7.62	7.78	8.01	-	7.86	8.02	8.26	-
	Amps	21.0	21.3	21.8	-	22.1	22.5	23.0	-	23.4	23.8	24.4	-	24.5	25.0	25.6	-	25.7	26.1	26.7	-	26.8	27.2	27.9	-
Hi PR	231	249	263	-	260	279	295	-	295	318	336	-	336	362	382	-	378	407	430	-	418	450	475	-	
Lo PR	102	109	119	-	108	115	126	-	112	120	131	-	118	126	137	-	124	132	144	-	128	136	149	-	
MBh	77.3	80.1	87.8	-	75.5	78.2	85.7	-	73.7	76.4	83.7	-	71.9	74.5	81.6	-	68.3	70.8	77.5	-	63.3	65.6	71.8	-	
S/T	0.67	0.56	0.38	-	0.69	0.58	0.40	-	0.71	0.59	0.41	-	0.73	0.61	0.42	-	0.76	0.63	0.44	-	0.76	0.64	0.44	-	
ΔT	20	17	13	-	20	17	13	-	20	17	13	-	20	17	13	-	20	17	13	-	19	16	12	-	
kW	6.10	6.21	6.38	-	6.50	6.63	6.81	-	6.86	7.00	7.20	-	7.18	7.32	7.54	-	7.45	7.60	7.82	-	7.68	7.84	8.07	-	
Amps	20.6	20.9	21.4	-	21.7	22.1	22.5	-	23.0	23.3	23.9	-	24.0	24.5	25.0	-	25.1	25.6	26.2	-	26.2	26.7	27.3	-	
Hi PR	224	242	255	-	252	271	286	-	286	308	326	-	326	351	371	-	367	395	417	-	406	436	461	-	
Lo PR	99	106	115	-	105	112	122	-	109	116	127	-	115	122	133	-	120	128	139	-	124	132	144	-	

75	MBh	87.7	90.3	97.7	104.9	85.7	88.2	95.5	102.5	83.6	86.1	93.2	100.0	81.6	84.0	90.9	97.6	77.5	79.8	86.4	92.7	71.8	73.9	80.0	85.9
	S/T	0.82	0.74	0.56	0.36	0.85	0.76	0.58	0.37	0.87	0.78	0.59	0.38	0.90	0.81	0.61	0.39	0.94	0.84	0.63	0.41	0.94	0.84	0.64	0.41
	ΔT	20	18	15	10	20	18	15	10	20	18	15	10	20	18	15	10	20	18	15	10	18	17	14	10
	kW	6.31	6.43	6.61	6.80	6.74	6.87	7.07	7.28	7.12	7.26	7.47	7.70	7.46	7.60	7.83	8.07	7.74	7.90	8.13	8.38	7.98	8.15	8.39	8.65
	Amps	21.2	21.6	22.1	22.6	22.4	22.8	23.3	23.9	23.7	24.1	24.7	25.3	24.9	25.3	25.9	26.6	26.0	26.5	27.1	27.9	27.1	27.6	28.3	29.1
	Hi PR	236	254	268	280	265	285	301	314	301	324	342	357	343	369	390	407	386	415	439	458	427	459	485	506
	Lo PR	104	111	121	129	110	117	128	137	115	122	133	142	121	128	140	149	126	134	147	156	131	139	152	162
	MBh	85.1	87.7	94.9	101.8	83.2	85.6	92.7	99.5	81.2	83.6	90.5	97.1	79.2	81.5	88.3	94.7	75.2	77.5	83.9	90.0	69.7	71.8	77.7	83.4
	S/T	0.78	0.70	0.53	0.34	0.81	0.73	0.55	0.35	0.83	0.75	0.56	0.36	0.86	0.77	0.58	0.37	0.89	0.80	0.60	0.39	0.90	0.81	0.61	0.39
	ΔT	20	19	15	11	21	19	16	11	21	19	16	11	21	19	16	11	21	19	16	11	19	18	15	10
	kW	6.27	6.39	6.57	6.75	6.69	6.82	7.02	7.22	7.07	7.21	7.42	7.64	7.40	7.55	7.77	8.01	7.68	7.84	8.07	8.32	7.92	8.08	8.33	8.59
	Amps	21.1	21.4	21.9	22.5	22.2	22.6	23.1	23.7	23.6	24.0	24.5	25.2	24.7	25.1	25.7	26.4	25.8	26.3	26.9	27.7	26.9	27.4	28.1	28.9
Hi PR	234	252	266	277	262	282	298	311	298	321	339	354	340	366	386	403	382	411	434	453	422	454	480	501	
Lo PR	103	110	120	128	109	116	127	135	114	121	132	141	119	127	139	148	125	133	145	155	129	138	150	160	
MBh	78.6	80.9	87.6	94.0	76.8	79.0	85.5	91.8	74.9	77.1	83.5	89.6	73.1	75.3	81.5	87.4	69.4	71.5	77.4	83.1	64.3	66.2	71.7	76.9	
S/T	0.76	0.68	0.51	0.33	0.78	0.70	0.53	0.34	0.80	0.72	0.54	0.35	0.83	0.74	0.56	0.36	0.86	0.77	0.58	0.37	0.87	0.78	0.59	0.38	
ΔT	23	21	17	12	23	21	17	12	23	21	17	12	23	21	18	12	23	21	17	12	21	20	16	11	
kW	6.14	6.25	6.42	6.61	6.55	6.68	6.86	7.06	6.91	7.05	7.25	7.47	7.23	7.38	7.59	7.82	7.51	7.66	7.89	8.12	7.74	7.90	8.14	8.39	
Amps	20.7	21.1	21.5	22.1	21.8	22.2	22.7	23.3	23.1	23.5	24.0	24.7	24.2	24.6	25.2	25.9	25.3	25.8	26.4	27.1	26.4	26.9	27.5	28.3	
Hi PR	227	244	258	269	254	274	289	302	289	311	329	343	330	355	375	391	371	399	421	439	410	441	466	486	
Lo PR	100	107	117	124	106	113	123	131	110	117	128	136	116	123	134	143	121	129	141	150	125	133	146	155	

IDB = Entering Indoor Dry Bulb Temperature
 High and low pressures are measured at the liquid and suction service valves.
 Shaded area reflects ACCA (ITVA) conditions
 kW = Total system power
 Amps = outdoor unit amps (comp. + fan)

EXPANDED COOLING DATA — 7½ TONS (B MODELS CONT.)

IDB	AIRFLOW	OUTDOOR AMBIENT TEMPERATURE												ENTERING INDOOR WET BULB TEMPERATURE											
		65				75				85				95				105				115			
		59	63	67	71	59	63	67	71	59	63	67	71	59	63	67	71	59	63	67	71	59	63	67	71
80	MBh	89.3	91.2	97.4	104.2	87.2	89.1	95.2	101.7	85.1	87.0	92.9	99.3	83.0	84.8	90.6	96.9	78.9	80.6	86.1	92.0	73.1	74.7	79.8	85.3
	S/T	0.90	0.85	0.69	0.51	0.93	0.88	0.71	0.53	0.96	0.90	0.73	0.55	1.00	0.93	0.75	0.56	1.00	0.96	0.78	0.59	1.00	0.97	0.79	0.59
	ΔT	22	21	18	15	22	21	19	15	23	21	19	15	23	21	19	15	21	20	18	15	20	20	17	14
	kW	6.36	6.48	6.66	6.85	6.79	6.92	7.12	7.33	7.17	7.32	7.53	7.76	7.51	7.66	7.89	8.13	7.80	7.96	8.20	8.45	8.05	8.21	8.46	8.72
	Amps	21.4	21.7	22.2	22.8	22.5	22.9	23.4	24.0	23.9	24.3	24.8	25.5	25.0	25.5	26.1	26.8	26.2	26.6	27.3	28.1	27.3	27.8	28.5	29.3
	Hi PR	238	257	271	283	268	288	304	317	304	328	346	361	347	373	394	411	390	420	443	462	431	464	490	511
	Lo PR	106	112	123	131	112	119	130	138	116	123	135	143	122	130	141	151	128	136	148	158	132	140	153	163
	MBh	86.7	88.5	94.6	101.1	84.6	86.5	92.4	98.8	82.6	84.4	90.2	96.4	80.6	82.4	88.0	94.1	76.6	78.2	83.6	89.4	70.9	72.5	77.4	82.8
	S/T	0.86	0.81	0.66	0.49	0.89	0.84	0.68	0.51	0.91	0.86	0.70	0.52	0.94	0.88	0.72	0.54	0.98	0.92	0.75	0.56	0.99	0.93	0.75	0.56
	ΔT	23	22	19	15	23	22	19	15	23	22	19	15	23	22	19	16	23	22	19	15	21	21	18	14
	kW	6.31	6.43	6.61	6.80	6.74	6.87	7.07	7.28	7.12	7.26	7.47	7.70	7.46	7.60	7.83	8.07	7.74	7.90	8.13	8.38	7.98	8.15	8.39	8.65
	Amps	21.2	21.6	22.1	22.6	22.4	22.8	23.3	23.9	23.7	24.1	24.7	25.3	24.9	25.3	25.9	26.6	26.0	26.5	27.1	27.9	27.1	27.6	28.3	29.1
Hi PR	236	254	268	280	265	285	301	314	301	324	342	357	343	369	390	407	386	415	439	458	427	459	485	506	
Lo PR	105	111	121	129	110	117	128	137	115	122	133	142	121	128	140	149	126	134	147	156	131	139	152	162	
MBh	80.0	81.7	87.3	93.3	78.1	79.8	85.3	91.2	76.3	77.9	83.3	89.0	74.4	76.0	81.2	86.8	70.7	72.2	77.2	82.5	65.5	66.9	71.5	76.4	
S/T	0.83	0.78	0.63	0.47	0.86	0.81	0.66	0.49	0.88	0.83	0.67	0.50	0.91	0.85	0.69	0.52	0.94	0.89	0.72	0.54	0.95	0.89	0.73	0.54	
ΔT	25	24	21	17	26	25	21	17	26	25	21	17	26	25	22	17	26	24	21	17	24	23	20	16	
kW	6.18	6.30	6.47	6.65	6.60	6.72	6.91	7.12	6.96	7.10	7.31	7.52	7.29	7.43	7.65	7.88	7.56	7.72	7.95	8.19	7.80	7.96	8.20	8.45	
Amps	20.9	21.2	21.6	22.2	22.0	22.3	22.8	23.4	23.3	23.6	24.2	24.8	24.4	24.8	25.4	26.1	25.5	25.9	26.6	27.3	26.6	27.1	27.7	28.5	
Hi PR	229	246	260	271	257	277	292	305	292	315	332	346	333	358	378	395	375	403	426	444	414	445	470	490	
Lo PR	101	108	118	125	107	114	124	132	111	118	129	138	117	124	136	145	123	130	142	152	127	135	147	157	
85	MBh	90.8	92.6	97.0	103.4	88.7	90.4	94.7	101.0	86.6	88.3	92.4	98.6	84.5	86.1	90.2	96.2	80.3	81.8	85.7	91.4	74.3	75.8	79.4	84.7
	S/T	0.95	0.91	0.82	0.67	0.98	0.95	0.85	0.69	1.00	0.97	0.87	0.71	1.00	0.93	0.80	0.73	1.00	1.00	0.94	0.76	1.00	1.00	0.94	0.77
	ΔT	23	23	22	19	24	23	22	19	24	23	22	19	23	23	22	19	22	22	22	19	20	21	20	18
	kW	6.40	6.52	6.71	6.90	6.84	6.97	7.17	7.39	7.23	7.37	7.59	7.81	7.57	7.72	7.95	8.19	7.86	8.02	8.26	8.51	8.11	8.27	8.53	8.79
	Amps	21.5	21.8	22.3	22.9	22.7	23.0	23.6	24.2	24.0	24.4	25.0	25.7	25.2	25.6	26.2	27.0	26.4	26.8	27.5	28.3	27.5	28.0	28.7	29.5
	Hi PR	241	259	274	285	270	291	307	320	307	331	349	364	350	377	398	415	394	424	448	467	435	468	495	516
	Lo PR	107	113	124	132	113	120	131	139	117	125	136	145	123	131	143	152	129	137	150	159	133	142	155	165
	MBh	88.2	89.9	94.1	100.4	86.1	87.8	91.9	98.1	84.1	85.7	89.7	95.7	82.0	83.6	87.6	93.4	77.9	79.4	83.2	88.7	72.2	73.6	77.1	82.2
	S/T	0.90	0.87	0.79	0.64	0.93	0.90	0.81	0.66	0.96	0.92	0.83	0.68	0.99	0.95	0.86	0.70	1.00	0.99	0.89	0.73	1.00	1.00	0.90	0.73
	ΔT	24	24	23	20	25	24	23	20	25	24	23	20	25	24	23	20	24	24	23	20	22	23	21	18
	kW	6.36	6.48	6.66	6.85	6.79	6.92	7.12	7.33	7.17	7.32	7.53	7.76	7.51	7.66	7.89	8.13	7.80	7.96	8.20	8.45	8.05	8.21	8.46	8.72
	Amps	21.4	21.7	22.2	22.8	22.5	22.9	23.4	24.0	23.9	24.3	24.8	25.5	25.0	25.5	26.1	26.8	26.2	26.6	27.3	28.1	27.3	27.8	28.5	29.3
Hi PR	238	257	271	283	268	288	304	317	304	328	346	361	347	373	394	411	390	420	443	462	431	464	490	511	
Lo PR	106	112	123	131	112	119	130	138	116	123	135	143	122	130	141	151	128	136	148	158	132	140	153	163	
MBh	81.4	83.0	86.9	92.7	79.5	81.0	84.9	90.5	77.6	79.1	82.8	88.4	75.7	77.2	80.8	86.2	71.9	73.3	76.8	81.9	66.6	67.9	71.1	75.9	
S/T	0.87	0.84	0.76	0.61	0.90	0.87	0.78	0.64	0.92	0.89	0.80	0.65	0.95	0.92	0.83	0.67	0.99	0.95	0.86	0.70	1.00	0.96	0.87	0.71	
ΔT	27	27	25	22	27	27	25	22	28	27	26	22	28	27	26	22	27	27	25	22	25	25	24	20	
kW	6.22	6.34	6.52	6.70	6.64	6.77	6.96	7.17	7.02	7.15	7.36	7.58	7.34	7.49	7.71	7.94	7.62	7.77	8.01	8.25	7.86	8.02	8.26	8.52	
Amps	21.0	21.3	21.8	22.3	22.1	22.5	23.0	23.6	23.4	23.8	24.4	25.0	24.5	25.0	25.5	26.2	25.6	26.1	26.7	27.5	26.8	27.2	27.9	28.7	
Hi PR	231	249	263	274	260	279	295	308	295	318	335	350	336	362	382	399	378	407	430	448	418	450	475	495	
Lo PR	102	109	119	127	108	115	126	134	112	120	131	139	118	126	137	146	124	132	144	153	128	136	149	158	

IDB = Entering Indoor Dry Bulb Temperature
 High and low pressures are measured at the liquid and suction service valves.
 Shaded area reflects AHRI (TVA) conditions
 kW = Total system power
 Amps = outdoor unit amps (comp.+fan)

EXPANDED COOLING DATA — 8½ TONS

IDB		OUTDOOR AMBIENT TEMPERATURE																																			
		65						75						85						95						105						115					
		59	63	67	71	59	63	67	71	59	63	67	71	59	63	67	71	59	63	67	71	59	63	67	71	59	63	67	71	59	63	67	71				
		ENTERING INDOOR WET BULB TEMPERATURE																																			
AIRFLOW																																					
3600	MBh	100.0	103.6	113.5	-	97.6	101.2	110.9	-	95.3	98.8	108.2	-	93.0	96.4	105.6	-	88.3	91.6	100.3	-	81.8	84.8	92.9	-												
	S/T	0.69	0.58	0.40	-	0.72	0.60	0.42	-	0.74	0.62	0.43	-	0.76	0.64	0.44	-	0.79	0.66	0.46	-	0.80	0.67	0.46	-												
	ΔT	18	15	12	-	18	16	12	-	18	16	12	-	18	16	12	-	18	15	12	-	17	14	11	-												
	kW	8.90	8.90	8.90	-	8.90	8.90	8.90	-	8.90	8.90	8.90	-	8.90	8.90	8.90	-	8.90	8.90	8.90	-	8.90	8.90	8.90	-												
	HI PR	245	263	278	-	274	295	312	-	312	336	355	-	355	382	404	-	400	430	454	-	442	475	502	-												
	LO PR	104	110	120	-	109	116	127	-	114	121	132	-	119	127	139	-	125	133	145	-	130	138	150	-												
3200	MBh	97.0	100.6	110.2	-	94.8	98.2	107.6	-	92.5	95.9	105.1	-	90.3	93.6	102.5	-	85.8	88.9	97.4	-	79.4	82.3	90.2	-												
	S/T	0.66	0.55	0.38	-	0.69	0.57	0.40	-	0.70	0.59	0.41	-	0.73	0.61	0.42	-	0.75	0.63	0.44	-	0.76	0.63	0.44	-												
	ΔT	18	16	12	-	19	16	12	-	19	16	12	-	19	16	12	-	19	16	12	-	17	15	11	-												
	kW	8.90	8.90	8.90	-	8.90	8.90	8.90	-	8.90	8.90	8.90	-	8.90	8.90	8.90	-	8.90	8.90	8.90	-	8.90	8.90	8.90	-												
	HI PR	242	261	275	-	272	292	309	-	309	332	351	-	352	379	400	-	396	426	450	-	437	471	497	-												
	LO PR	103	109	119	-	108	115	126	-	113	120	131	-	118	126	137	-	124	132	144	-	128	136	149	-												
2800	MBh	89.6	92.8	101.7	-	87.5	90.7	99.3	-	85.4	88.5	97.0	-	83.3	86.4	94.6	-	79.2	82.0	89.9	-	73.3	76.0	83.3	-												
	S/T	0.64	0.53	0.37	-	0.66	0.55	0.38	-	0.68	0.57	0.39	-	0.70	0.58	0.41	-	0.73	0.61	0.42	-	0.73	0.61	0.42	-												
	ΔT	19	16	12	-	19	16	12	-	19	16	12	-	19	17	13	-	19	16	12	-	18	15	12	-												
	kW	8.90	8.90	8.90	-	8.90	8.90	8.90	-	8.90	8.90	8.90	-	8.90	8.90	8.90	-	8.90	8.90	8.90	-	8.90	8.90	8.90	-												
	HI PR	235	253	267	-	264	284	299	-	300	323	341	-	341	367	388	-	384	413	436	-	424	457	482	-												
	LO PR	99	106	116	-	105	112	122	-	109	116	127	-	115	122	133	-	120	128	140	-	124	132	144	-												

3600	MBh	101.6	104.7	113.3	121.6	99.3	102.2	110.6	118.8	96.9	99.8	108.0	115.9	94.6	97.4	105.4	113.1	89.8	92.5	100.1	107.4	83.2	85.7	92.7	99.5
	S/T	0.79	0.71	0.53	0.34	0.82	0.73	0.55	0.36	0.84	0.75	0.57	0.37	0.87	0.77	0.59	0.38	0.90	0.80	0.61	0.39	0.91	0.81	0.61	0.39
	ΔT	20	19	15	11	21	19	16	11	21	19	16	11	21	19	16	11	21	19	16	11	19	18	15	10
	kW	8.90	8.90	8.90	8.90	8.90	8.90	8.90	8.90	8.90	8.90	8.90	8.90	8.90	8.90	8.90	8.90	8.90	8.90	8.90	8.90	8.90	8.90	8.90	8.90
	HI PR	247	266	281	293	277	298	315	329	315	339	358	374	359	386	408	426	404	435	459	479	446	480	507	529
	LO PR	105	111	122	129	111	118	128	137	115	122	133	142	121	128	140	149	126	135	147	156	131	139	152	162
3200	MBh	98.7	101.6	110.0	118.0	96.4	99.2	107.4	115.3	94.1	96.9	104.9	112.5	91.8	94.5	102.3	109.8	87.2	89.8	97.2	104.3	80.8	83.2	90.0	96.6
	S/T	0.75	0.67	0.51	0.33	0.78	0.70	0.53	0.34	0.80	0.72	0.54	0.35	0.83	0.74	0.56	0.36	0.86	0.77	0.58	0.37	0.86	0.77	0.58	0.38
	ΔT	21	20	16	11	22	20	16	11	22	20	16	11	22	20	16	11	21	20	16	11	20	18	15	10
	kW	8.90	8.90	8.90	8.90	8.90	8.90	8.90	8.90	8.90	8.90	8.90	8.90	8.90	8.90	8.90	8.90	8.90	8.90	8.90	8.90	8.90	8.90	8.90	8.90
	HI PR	245	263	278	290	274	295	312	325	312	336	355	370	355	383	404	421	400	430	454	474	442	476	502	524
	LO PR	104	110	120	128	109	116	127	135	114	121	132	141	120	127	139	148	125	133	145	155	130	138	150	160
2800	MBh	91.1	93.8	101.5	108.9	89.0	91.6	99.1	106.4	86.8	89.4	96.8	103.9	84.7	87.2	94.4	101.3	80.5	82.9	89.7	96.3	74.6	76.8	83.1	89.2
	S/T	0.73	0.65	0.49	0.32	0.75	0.67	0.51	0.33	0.77	0.69	0.52	0.34	0.80	0.71	0.54	0.35	0.83	0.74	0.56	0.36	0.83	0.74	0.56	0.36
	ΔT	22	20	16	11	22	20	17	11	22	20	17	11	22	20	17	12	22	20	16	11	20	19	15	11
	kW	8.90	8.90	8.90	8.90	8.90	8.90	8.90	8.90	8.90	8.90	8.90	8.90	8.90	8.90	8.90	8.90	8.90	8.90	8.90	8.90	8.90	8.90	8.90	8.90
	HI PR	237	255	270	281	266	286	303	316	303	326	344	359	345	371	392	409	388	417	441	460	429	461	487	508
	LO PR	101	107	117	124	106	113	123	131	110	117	128	137	116	123	135	143	121	129	141	150	126	134	146	155

IDB = Entering Indoor Dry Bulb Temperature
 High and low pressures are measured at the liquid and suction service valves.
 Shaded area reflects ACCA (TVA) conditions
 kW = Total system power
 Amps = outdoor unit amps (comp. + fan)

EXPANDED COOLING DATA — 8½ TONS (CONT.)

IDB		OUTDOOR AMBIENT TEMPERATURE																													
		75						85						95						105						115					
		59	63	67	71	59	63	67	71	59	63	67	71	59	63	67	71	59	63	67	71	59	63	67	71						
		ENTERING INDOOR WET BULB TEMPERATURE																													
		59	63	67	71	59	63	67	71	59	63	67	71	59	63	67	71	59	63	67	71	59	63	67	71						
3600		103.5	105.7	112.9	120.7	101.0	103.3	110.3	117.9	98.6	100.8	107.7	115.1	96.2	98.3	105.1	112.3	91.4	93.4	99.8	106.7	84.7	86.5	92.5	98.8						
		S/T	0.87	0.81	0.66	0.49	0.90	0.84	0.68	0.51	0.92	0.86	0.70	0.52	0.95	0.89	0.72	0.54	1.00	0.92	0.75	0.56	1.00	0.93	0.76	0.57					
		ΔT	23	22	19	15	23	22	19	15	23	22	19	15	23	22	19	16	23	22	19	15	22	21	18	14					
3600		kW	8.90	8.90	8.90	8.90	8.90	8.90	8.90	8.90	8.90	8.90	8.90	8.90	8.90	8.90	8.90	8.90	8.90	8.90	8.90	8.90	8.90	8.90	8.90						
		HI PR	250	269	284	296	280	301	318	332	318	343	362	377	363	390	412	430	408	439	464	484	451	485	512	534					
		LO PR	106	112	123	131	112	119	130	138	116	123	135	144	122	130	142	151	128	136	148	158	132	141	153	163					
		MBh	100.4	102.6	109.7	117.2	98.1	100.2	107.1	114.5	95.8	97.9	104.6	111.8	93.4	95.5	102.0	109.0	88.8	90.7	96.9	103.6	82.2	84.0	89.8	96.0					
		S/T	0.83	0.77	0.63	0.47	0.86	0.80	0.65	0.49	0.88	0.82	0.67	0.50	0.91	0.85	0.69	0.52	0.94	0.88	0.72	0.54	0.95	0.89	0.72	0.54					
		ΔT	24	23	20	16	24	23	20	16	24	23	20	16	24	23	20	16	24	23	20	16	22	21	19	15					
3200		kW	8.90	8.90	8.90	8.90	8.90	8.90	8.90	8.90	8.90	8.90	8.90	8.90	8.90	8.90	8.90	8.90	8.90	8.90	8.90	8.90	8.90	8.90	8.90						
		HI PR	247	266	281	293	277	298	315	329	315	339	358	374	359	386	408	426	404	435	459	479	446	480	507	529					
		LO PR	105	111	122	129	111	118	128	137	115	122	133	142	121	128	140	149	127	135	147	156	131	139	152	162					
		MBh	92.7	94.7	101.2	108.2	90.5	92.5	98.9	105.7	88.4	90.3	96.5	103.2	86.2	88.1	94.1	100.6	81.9	83.7	89.4	95.6	75.9	77.5	82.8	88.6					
		S/T	0.80	0.75	0.61	0.45	0.82	0.77	0.63	0.47	0.85	0.79	0.65	0.48	0.87	0.82	0.67	0.50	0.91	0.85	0.69	0.52	0.91	0.86	0.70	0.52					
		ΔT	24	23	20	16	25	23	20	16	25	24	20	16	25	24	21	16	24	23	20	16	23	22	19	15					
2800		kW	8.90	8.90	8.90	8.90	8.90	8.90	8.90	8.90	8.90	8.90	8.90	8.90	8.90	8.90	8.90	8.90	8.90	8.90	8.90	8.90	8.90	8.90	8.90						
		HI PR	240	258	272	284	269	289	306	319	306	329	348	362	348	375	396	413	392	422	445	464	433	466	492	513					
		LO PR	102	108	118	126	107	114	125	133	111	119	129	138	117	125	136	145	123	131	143	152	127	135	147	157					

3600		MBh	105.3	107.3	112.4	119.9	102.8	104.8	109.8	117.1	100.4	102.3	107.1	114.3	97.9	99.8	104.5	111.5	93.0	94.8	99.3	105.9	86.2	87.8	92.0	98.1	
		S/T	0.91	0.88	0.79	0.64	0.94	0.91	0.82	0.66	0.96	0.93	0.84	0.68	0.99	0.96	0.87	0.70	1.00	1.00	0.90	0.73	1.00	1.00	0.91	0.74	
		ΔT	24	24	23	20	25	24	23	20	25	24	23	20	25	24	23	20	24	24	23	20	22	22	21	18	
3600		kW	8.90	8.90	8.90	8.90	8.90	8.90	8.90	8.90	8.90	8.90	8.90	8.90	8.90	8.90	8.90	8.90	8.90	8.90	8.90	8.90	8.90	8.90	8.90	8.90	
		HI PR	252	271	286	299	283	304	321	335	322	346	365	381	366	394	416	434	412	443	468	488	455	490	517	540	
		LO PR	107	114	124	132	113	120	131	140	117	125	136	145	123	131	143	152	129	137	150	160	133	142	155	165	
		MBh	102.2	104.2	109.1	116.4	99.8	101.7	106.6	113.7	97.4	99.3	104.0	111.0	95.1	96.9	101.5	108.3	90.3	92.1	96.4	102.9	83.7	85.3	89.3	95.3	
		S/T	0.87	0.83	0.75	0.61	0.90	0.86	0.78	0.63	0.92	0.89	0.80	0.65	0.95	0.92	0.83	0.67	0.98	0.95	0.86	0.70	0.99	0.96	0.86	0.70	
		ΔT	25	25	24	20	26	25	24	21	26	25	24	21	26	25	24	21	26	25	24	21	24	24	23	22	19
3200		kW	8.90	8.90	8.90	8.90	8.90	8.90	8.90	8.90	8.90	8.90	8.90	8.90	8.90	8.90	8.90	8.90	8.90	8.90	8.90	8.90	8.90	8.90	8.90	8.90	
		HI PR	250	269	284	296	280	301	318	332	318	343	362	377	363	390	412	430	408	439	464	484	451	485	512	534	
		LO PR	106	112	123	131	112	119	130	138	116	123	135	144	122	130	142	151	128	136	148	158	132	141	153	163	
		MBh	94.3	96.2	100.7	107.4	92.1	93.9	98.4	104.9	89.9	91.7	96.0	102.4	87.7	89.4	93.7	99.9	83.4	85.0	89.0	94.9	77.2	78.7	82.4	87.9	
		S/T	0.83	0.80	0.73	0.59	0.86	0.83	0.75	0.61	0.89	0.86	0.77	0.63	0.91	0.88	0.80	0.65	0.95	0.92	0.83	0.67	0.96	0.92	0.83	0.68	
		ΔT	26	25	24	21	26	26	24	21	26	26	24	21	26	26	25	21	26	26	24	21	24	24	24	23	20
2800		kW	8.90	8.90	8.90	8.90	8.90	8.90	8.90	8.90	8.90	8.90	8.90	8.90	8.90	8.90	8.90	8.90	8.90	8.90	8.90	8.90	8.90	8.90	8.90	8.90	
		HI PR	242	260	275	287	272	292	309	322	309	332	351	366	352	379	400	417	396	426	450	469	437	471	497	518	
		LO PR	103	109	119	127	108	115	126	134	113	120	131	139	118	126	137	146	124	132	144	153	128	136	149	159	

IDB = Entering Indoor Dry Bulb Temperature
 High and low pressures are measured at the liquid and suction service valves.
 Shaded area reflects AHRI (TVA) conditions
 kW = Total system power
 Amps = outdoor unit amps (comp. + fan)

EXPANDED COOLING DATA — 10 TONS

IDB		OUTDOOR AMBIENT TEMPERATURE																																			
		65						75						85						95						105						115					
		59	63	67	71	59	63	67	71	59	63	67	71	59	63	67	71	59	63	67	71	59	63	67	71	59	63	67	71								
		ENTERING INDOOR WET BULB TEMPERATURE																																			
AIRFLOW		59	63	67	71	59	63	67	71	59	63	67	71	59	63	67	71	59	63	67	71	59	63	67	71	59	63	67	71								
4500	MBh	115.6	119.8	131.3	-	112.9	117.1	128.3	-	110.3	114.3	125.2	-	107.6	111.5	122.1	-	102.2	105.9	116.0	-	94.7	98.1	107.5	-	85.5	88.9	98.3	-								
	S/T	0.74	0.62	0.43	-	0.77	0.64	0.45	-	0.79	0.66	0.46	-	0.82	0.68	0.47	-	0.85	0.71	0.49	-	0.85	0.71	0.49	-	0.85	0.71	0.49	-								
	ΔT	18	15	12	-	18	15	12	-	18	15	12	-	18	16	12	-	18	15	12	-	17	14	11	-	17	14	11	-								
	Hi Pr	247	265	280	-	277	298	314	-	315	339	358	-	358	386	407	-	403	434	458	-	446	479	506	-	446	479	506	-								
70	Lo Pr	106	113	124	-	112	120	131	-	117	124	136	-	123	131	143	-	129	137	149	-	133	142	155	-	133	142	155	-								
	MBh	112.3	116.4	127.5	-	109.7	113.7	124.5	-	107.0	110.9	121.6	-	104.4	108.2	118.6	-	99.2	102.8	112.7	-	91.9	95.3	104.4	-	81.9	85.3	94.7	-								
	S/T	0.71	0.59	0.41	-	0.73	0.61	0.43	-	0.75	0.63	0.44	-	0.78	0.65	0.45	-	0.81	0.67	0.47	-	0.81	0.68	0.47	-	0.81	0.68	0.47	-								
	ΔT	18	16	12	-	19	16	12	-	19	16	12	-	19	16	12	-	18	16	12	-	17	15	11	-	17	15	11	-								
3200	Hi Pr	244	263	277	-	274	295	311	-	312	335	354	-	355	382	403	-	399	430	454	-	441	475	501	-	441	475	501	-								
	Lo Pr	105	112	122	-	111	118	129	-	116	123	134	-	122	129	141	-	127	135	148	-	132	140	153	-	132	140	153	-								
	MBh	103.6	107.4	117.7	-	101.2	104.9	114.9	-	98.8	102.4	112.2	-	96.4	99.9	109.5	-	91.6	94.9	104.0	-	84.8	87.9	96.3	-	74.8	78.2	87.6	-								
	S/T	0.68	0.57	0.40	-	0.71	0.59	0.41	-	0.73	0.61	0.42	-	0.75	0.63	0.43	-	0.78	0.65	0.45	-	0.78	0.66	0.45	-	0.78	0.66	0.45	-								
75	ΔT	20	18	13	-	21	18	14	-	21	18	14	-	21	18	14	-	20	18	13	-	19	17	13	-	19	17	13	-								
	Hi Pr	237	255	269	-	266	286	302	-	302	325	343	-	344	370	391	-	387	417	440	-	428	460	486	-	428	460	486	-								
	Lo Pr	102	109	119	-	108	115	125	-	112	119	130	-	118	125	137	-	124	131	143	-	128	136	148	-	128	136	148	-								

4500	MBh	117.6	121.1	131.0	140.6	114.9	118.3	128.0	137.4	112.1	115.4	125.0	134.1	109.4	112.6	121.9	130.8	103.9	107.0	115.8	124.3	96.3	99.1	107.3	115.1
	S/T	0.84	0.76	0.57	0.37	0.88	0.78	0.59	0.38	0.90	0.80	0.61	0.39	0.93	0.83	0.63	0.40	0.96	0.86	0.65	0.42	0.97	0.87	0.66	0.42
	ΔT	20	19	15	11	21	19	16	11	21	19	16	11	21	19	16	11	20	19	15	11	19	18	14	10
	Hi Pr	249	268	283	295	280	301	318	331	318	342	361	377	362	390	411	429	407	438	463	483	450	484	511	533
75	Lo Pr	107	114	125	133	114	121	132	140	118	126	137	146	124	132	144	153	130	138	151	161	134	143	156	166
	MBh	114.2	117.5	127.2	136.6	111.5	114.8	124.3	133.4	108.9	112.1	121.3	130.2	106.2	109.3	118.4	127.0	100.9	103.9	112.4	120.7	93.5	96.2	104.2	111.8
	S/T	0.81	0.72	0.55	0.35	0.84	0.75	0.57	0.36	0.86	0.77	0.58	0.37	0.88	0.79	0.60	0.38	0.92	0.82	0.62	0.40	0.93	0.83	0.63	0.40
	ΔT	21	19	16	11	21	20	16	11	21	20	16	11	22	20	16	11	21	20	16	11	20	18	15	10
3200	Hi Pr	247	265	280	292	277	298	315	328	315	339	358	373	358	386	407	425	403	434	458	478	446	480	506	528
	Lo Pr	106	113	124	132	112	120	131	139	117	124	136	145	123	131	143	152	129	137	149	159	133	142	155	165
	MBh	105.4	108.5	117.4	126.0	102.9	106.0	114.7	123.1	100.5	103.4	112.0	120.2	98.0	100.9	109.2	117.2	93.1	95.9	103.8	111.4	86.3	88.8	96.1	103.2
	S/T	0.78	0.69	0.53	0.34	0.81	0.72	0.55	0.35	0.83	0.74	0.56	0.36	0.85	0.76	0.58	0.37	0.88	0.79	0.60	0.39	0.89	0.80	0.60	0.39
75	ΔT	24	22	18	12	24	22	18	12	24	22	18	12	24	22	18	13	24	22	18	12	22	20	17	12
	Hi Pr	239	257	272	284	268	289	305	318	305	329	347	362	348	374	395	412	391	421	445	464	432	465	491	512
	Lo Pr	103	110	120	128	109	116	127	135	113	121	132	140	119	127	138	147	125	133	145	154	129	137	150	160

IDB = Entering Indoor Dry Bulb Temperature
 High and low pressures are measured at the liquid and suction service valves.
 Shaded area reflects ACCA (TVA) conditions
 kW = Total system power
 Amps = outdoor unit amps (comp.+fan)

EXPANDED COOLING DATA — 10 TONS (CONT.)

IDB		OUTDOOR AMBIENT TEMPERATURE																																			
		65						75						85						95						105						115					
		59	63	67	71	59	63	67	71	59	63	67	71	59	63	67	71	59	63	67	71	59	63	67	71	59	63	67	71								
		ENTERING INDOOR WET BULB TEMPERATURE																																			
	AIRFLOW	59	63	67	71	59	63	67	71	59	63	67	71	59	63	67	71	59	63	67	71	59	63	67	71	59	63	67	71								
80	4500	MBh	119.7	122.3	130.7	139.7	116.9	119.4	127.6	136.4	114.1	116.6	124.6	133.2	111.3	113.8	121.5	129.9	105.8	108.1	115.5	123.4	98.0	100.1	107.0	114.3	98.0	100.1	107.0	114.3							
		S/T	0.93	0.87	0.71	0.53	0.96	0.90	0.73	0.55	1.00	0.92	0.75	0.56	1.00	0.95	0.78	0.58	1.00	1.00	0.81	0.60	1.00	1.00	0.81	0.60	1.00	1.00	0.81	0.61							
		ΔT	23	22	19	15	23	22	19	15	23	22	19	15	23	22	19	15	22	22	19	15	20	20	18	14	20	20	18	14							
	4000	Hi Pr	252	271	286	298	282	304	321	335	321	346	365	381	366	394	416	433	411	443	468	488	455	489	517	539	455	489	517	539							
		Lo Pr	109	116	126	134	115	122	133	142	119	127	138	147	125	133	145	155	131	140	152	162	136	144	158	168	136	144	158	168							
		MBh	116.2	118.7	126.9	135.6	113.5	116.0	123.9	132.4	110.8	113.2	121.0	129.3	108.1	110.4	118.0	126.1	102.7	104.9	112.1	119.8	95.1	97.2	103.8	111.0	95.1	97.2	103.8	111.0							
	3200	S/T	0.88	0.83	0.67	0.50	0.92	0.86	0.70	0.52	0.94	0.88	0.72	0.54	0.97	0.91	0.74	0.55	1.00	0.94	0.77	0.57	1.00	0.95	0.77	0.58	1.00	0.95	0.77	0.58							
		ΔT	24	23	20	16	24	23	20	16	24	23	20	16	24	23	20	16	24	23	20	16	22	21	18	15	22	21	18	15							
		Hi Pr	249	268	283	295	280	301	318	331	318	342	361	377	362	390	412	429	407	438	463	483	450	484	511	533	450	484	511	533							
	85	4500	Lo Pr	107	114	125	133	114	121	132	140	118	126	137	146	124	132	144	153	130	138	151	161	134	143	156	166	134	143	156	166						
			MBh	107.2	109.6	117.1	125.2	104.8	107.0	114.4	122.3	102.3	104.5	111.6	119.3	99.8	101.9	108.9	116.4	94.8	96.8	103.5	110.6	87.8	89.7	95.8	102.5	87.8	89.7	95.8	102.5						
			S/T	0.85	0.80	0.65	0.49	0.88	0.83	0.67	0.50	0.91	0.85	0.69	0.52	0.93	0.88	0.71	0.53	0.97	0.91	0.74	0.55	0.98	0.92	0.75	0.56	0.98	0.92	0.75	0.56						
3200		ΔT	26	25	22	17	27	25	22	18	27	25	22	18	27	26	22	18	26	25	22	18	25	24	21	16	25	24	21	16							
		Hi Pr	242	260	275	286	271	292	308	321	308	332	350	366	351	378	399	416	395	425	449	468	437	470	496	517	437	470	496	517							
		Lo Pr	104	111	121	129	110	117	128	136	114	122	133	142	120	128	140	149	126	134	146	156	130	139	151	161	130	139	151	161							

85	4500	MBh	121.8	124.1	130.0	138.7	118.9	121.2	127.0	135.5	116.1	118.4	124.0	132.2	113.3	115.5	120.9	129.0	107.6	109.7	114.9	122.6	99.7	101.6	106.4	113.5	99.7	101.6	106.4	113.5	
		S/T	0.97	0.94	0.85	0.69	1.00	0.97	0.88	0.71	1.00	1.00	0.90	0.73	1.00	1.00	0.93	0.75	1.00	1.00	0.96	0.78	1.00	1.00	0.97	0.79	1.00	1.00	0.97	0.79	
		ΔT	24	24	22	19	24	24	23	20	24	24	23	20	23	24	23	20	22	22	23	20	20	21	21	18	20	21	21	18	
	4000	Hi Pr	254	273	289	301	285	307	324	338	324	349	369	384	369	398	420	438	416	447	472	493	459	494	522	544	459	494	522	544	
		Lo Pr	110	117	127	136	116	123	135	143	120	128	140	149	126	135	147	156	133	141	154	164	137	146	159	170	137	146	159	170	
		MBh	118.2	120.5	126.2	134.7	115.5	117.7	123.3	131.5	112.7	114.9	120.3	128.4	110.0	112.1	117.4	125.3	104.5	106.5	111.5	119.0	96.8	98.7	103.3	110.2	96.8	98.7	103.3	110.2	
	3200	S/T	0.93	0.89	0.81	0.65	0.96	0.93	0.84	0.68	0.98	0.95	0.86	0.70	1.00	0.98	0.89	0.72	1.00	1.00	0.92	0.75	1.00	1.00	0.93	0.75	1.00	1.00	0.93	0.75	
		ΔT	25	25	23	20	25	25	24	21	26	25	24	21	25	25	24	21	24	24	24	20	22	23	22	19	22	23	22	19	
		Hi Pr	252	271	286	298	282	304	321	335	321	346	365	381	366	394	416	433	411	443	468	488	455	489	517	539	455	489	517	539	
	85	4500	Lo Pr	109	116	126	134	115	122	133	142	119	127	138	147	125	133	145	155	131	140	152	162	136	144	158	168	136	144	158	168
			MBh	109.1	111.2	116.5	124.3	106.6	108.6	113.8	121.4	104.0	106.1	111.1	118.5	101.5	103.5	108.4	115.6	96.4	98.3	103.0	109.8	89.3	91.1	95.4	101.7	89.3	91.1	95.4	101.7
			S/T	0.89	0.86	0.78	0.63	0.93	0.89	0.81	0.65	0.95	0.92	0.83	0.67	0.98	0.95	0.85	0.69	1.00	0.98	0.89	0.72	1.00	0.99	0.89	0.72	1.00	0.99	0.89	0.72
3200		ΔT	28	28	26	23	28	28	26	23	28	28	26	23	29	28	27	23	28	28	26	23	26	26	24	21	26	26	24	21	
		Hi Pr	244	263	277	289	274	295	311	325	311	335	354	369	355	382	403	420	399	430	454	473	441	475	501	523	441	475	501	523	
		Lo Pr	105	112	122	130	111	118	129	138	116	123	134	143	121	129	141	150	127	135	148	157	132	140	153	163	132	140	153	163	

IDB = Entering Indoor Dry Bulb Temperature
 High and low pressures are measured at the liquid and suction service valves.
 Shaded area reflects AHRI (TVA) conditions
 kW = Total system power
 Amps = outdoor unit amps (comp.+fan)

EXPANDED COOLING DATA — 12½ TONS

IDB	AIRFLOW	OUTDOOR AMBIENT TEMPERATURE												ENTERING INDOOR WET BULB TEMPERATURE											
		65				75				85				95				105				115			
		59	63	67	71	59	63	67	71	59	63	67	71	59	63	67	71	59	63	67	71	59	63	67	71
70	MBh	143.1	148.3	162.5	-	139.7	144.8	158.7	-	136.4	141.4	154.9	-	133.1	137.9	151.1	-	126.4	131.0	143.6	-	117.1	121.4	133.0	-
	S/T	0.70	0.59	0.41	-	0.73	0.61	0.42	-	0.75	0.62	0.43	-	0.77	0.64	0.45	-	0.80	0.67	0.46	-	0.81	0.67	0.47	-
	ΔT	20	17	13	-	20	17	13	-	20	17	13	-	20	17	13	-	20	17	13	-	18	16	12	-
	kW	10.42	10.64	10.97	-	11.21	11.45	11.82	-	11.92	12.18	12.57	-	12.54	12.82	13.24	-	13.07	13.36	13.80	-	13.52	13.83	14.29	-
	Amps	36.3	36.9	37.9	-	38.5	39.3	40.3	-	41.2	42.0	43.1	-	43.4	44.3	45.5	-	45.7	46.6	47.9	-	47.9	48.9	50.3	-
	Hi PR	247	266	281	-	277	298	315	-	315	339	358	-	359	386	408	-	404	434	459	-	446	480	507	-
	Lo PR	100	107	117	-	106	113	123	-	110	117	128	-	116	123	135	-	121	129	141	-	126	134	146	-
	MBh	138.9	144.0	157.7	-	135.7	140.6	154.1	-	132.4	137.3	150.4	-	129.2	133.9	146.7	-	122.7	127.2	139.4	-	113.7	117.9	129.1	-
	S/T	0.67	0.56	0.39	-	0.69	0.58	0.40	-	0.71	0.60	0.41	-	0.74	0.61	0.43	-	0.76	0.64	0.44	-	0.77	0.64	0.45	-
	ΔT	20	18	13	-	21	18	14	-	21	18	14	-	21	18	14	-	21	18	13	-	19	17	13	-
	kW	10.33	10.55	10.88	-	11.12	11.36	11.73	-	11.82	12.08	12.47	-	12.44	12.71	13.13	-	12.96	13.25	13.68	-	13.41	13.71	14.17	-
	Amps	36.0	36.7	37.6	-	38.3	39.0	40.0	-	40.9	41.7	42.8	-	43.1	44.0	45.2	-	45.4	46.3	47.5	-	47.6	48.5	49.9	-
Hi PR	244	263	278	-	274	295	312	-	312	336	355	-	355	382	404	-	400	430	454	-	442	475	502	-	
Lo PR	99	106	116	-	105	112	122	-	109	116	127	-	115	122	133	-	120	128	140	-	124	132	144	-	
MBh	128.2	132.9	145.6	-	125.2	129.8	142.2	-	122.2	126.7	138.8	-	119.3	123.6	135.4	-	113.3	117.4	128.7	-	104.9	108.8	119.2	-	
S/T	0.65	0.54	0.37	-	0.67	0.56	0.39	-	0.69	0.57	0.40	-	0.71	0.59	0.41	-	0.74	0.61	0.43	-	0.74	0.62	0.43	-	
ΔT	23	20	15	-	23	20	15	-	23	20	15	-	23	20	15	-	23	20	15	-	21	18	14	-	
kW	10.09	10.30	10.62	-	10.86	11.09	11.44	-	11.53	11.78	12.16	-	12.13	12.39	12.80	-	12.64	12.92	13.34	-	13.07	13.37	13.81	-	
Amps	35.3	35.9	36.8	-	37.4	38.2	39.1	-	40.0	40.7	41.8	-	42.1	43.0	44.1	-	44.3	45.2	46.4	-	46.5	47.4	48.7	-	
Hi PR	237	255	269	-	266	286	302	-	303	326	344	-	345	371	392	-	388	417	441	-	428	461	487	-	
Lo PR	97	103	112	-	102	108	118	-	106	113	123	-	111	118	129	-	117	124	135	-	121	128	140	-	
75	MBh	145.5	149.8	162.1	174.0	142.1	146.3	158.4	170.0	138.7	142.8	154.6	165.9	135.3	139.3	150.8	161.9	128.6	132.4	143.3	153.8	119.1	122.6	132.7	142.5
	S/T	0.80	0.71	0.54	0.35	0.83	0.74	0.56	0.36	0.85	0.76	0.57	0.37	0.88	0.78	0.59	0.38	0.91	0.81	0.62	0.40	0.92	0.82	0.62	0.40
	ΔT	23	21	17	12	23	21	17	12	23	21	17	12	23	21	17	12	23	21	17	12	21	20	16	11
	kW	10.50	10.72	11.06	11.41	11.31	11.55	11.92	12.31	12.02	12.28	12.68	13.10	12.65	12.92	13.35	13.80	13.18	13.47	13.92	14.39	13.64	13.95	14.41	14.90
	Amps	36.5	37.2	38.2	39.3	38.8	39.6	40.6	41.8	41.5	42.3	43.4	44.7	43.8	44.6	45.8	47.3	46.0	47.0	48.3	49.8	48.3	49.3	50.7	52.3
	Hi PR	249	268	283	296	280	301	318	332	318	343	362	377	363	390	412	430	408	439	463	483	451	485	512	534
	Lo PR	102	108	118	126	107	114	125	133	111	119	129	138	117	125	136	145	123	131	143	152	127	135	147	157
	MBh	141.3	145.4	157.4	169.0	138.0	142.1	153.8	165.0	134.7	138.7	150.1	161.1	131.4	135.3	146.4	157.2	124.8	128.5	139.1	149.3	115.6	119.1	128.9	138.3
	S/T	0.76	0.68	0.52	0.33	0.79	0.71	0.53	0.34	0.81	0.72	0.55	0.35	0.84	0.75	0.57	0.36	0.87	0.78	0.59	0.38	0.88	0.78	0.59	0.38
	ΔT	24	22	18	12	24	22	18	12	24	22	18	12	24	22	18	13	24	22	18	12	22	20	17	12
	kW	10.42	10.64	10.97	11.32	11.22	11.46	11.82	12.21	11.92	12.18	12.57	12.99	12.54	12.82	13.24	13.68	13.07	13.36	13.80	14.27	13.53	13.83	14.29	14.77
	Amps	36.3	36.9	37.9	39.0	38.5	39.3	40.3	41.5	41.2	42.0	43.1	44.4	43.4	44.3	45.5	46.9	45.7	46.6	47.9	49.4	47.9	48.9	50.3	51.9
Hi PR	247	266	281	293	277	298	315	328	315	339	358	374	359	386	408	425	404	435	459	479	446	480	507	529	
Lo PR	101	107	117	124	106	113	123	131	110	117	128	137	116	123	135	143	121	129	141	150	126	134	146	155	
MBh	130.4	134.2	145.3	155.9	127.3	131.1	141.9	152.3	124.3	128.0	138.5	148.7	121.3	124.9	135.2	145.1	115.2	118.6	128.4	137.8	106.7	109.9	118.9	127.7	
S/T	0.73	0.66	0.50	0.32	0.76	0.68	0.52	0.33	0.78	0.70	0.53	0.34	0.81	0.72	0.55	0.35	0.84	0.75	0.57	0.36	0.84	0.75	0.57	0.37	
ΔT	26	24	20	14	27	24	20	14	27	24	20	14	27	25	20	14	26	24	20	14	25	23	19	13	
kW	10.17	10.38	10.71	11.05	10.94	11.18	11.53	11.91	11.63	11.88	12.26	12.67	12.23	12.50	12.91	13.34	12.74	13.03	13.45	13.90	13.19	13.48	13.93	14.40	
Amps	35.5	36.2	37.1	38.1	37.7	38.4	39.4	40.6	40.3	41.0	42.1	43.4	42.5	43.3	44.5	45.8	44.7	45.6	46.8	48.3	46.8	47.8	49.1	50.7	
Hi PR	240	258	272	284	269	289	305	319	306	329	347	362	348	375	396	413	392	422	445	464	433	466	492	513	
Lo PR	97	104	113	121	103	110	120	127	107	114	124	132	112	120	131	139	118	125	137	146	122	130	142	151	

IDB: Entering Indoor Dry Bulb Temperature
 High and low pressures are measured at the liquid and suction access fittings.
 Shaded area reflects ACCA (TVA) Rating Conditions
 Amps: Unit amps (comp.+ evaporator + condenser fan motors)
 KW = Total system power

EXPANDED COOLING DATA — 12½ TONS (CONT.)

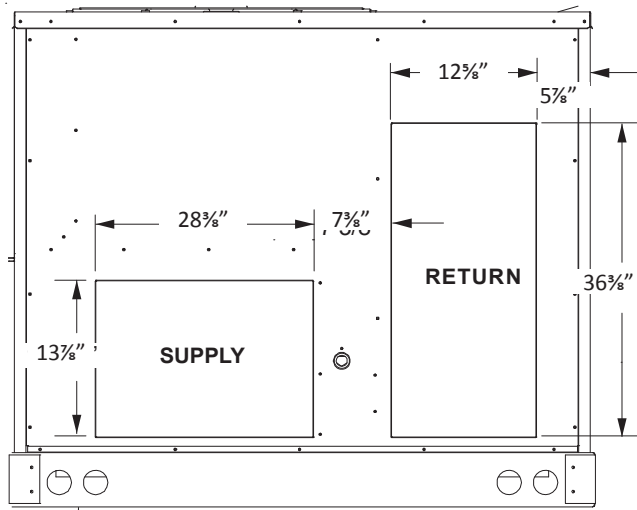
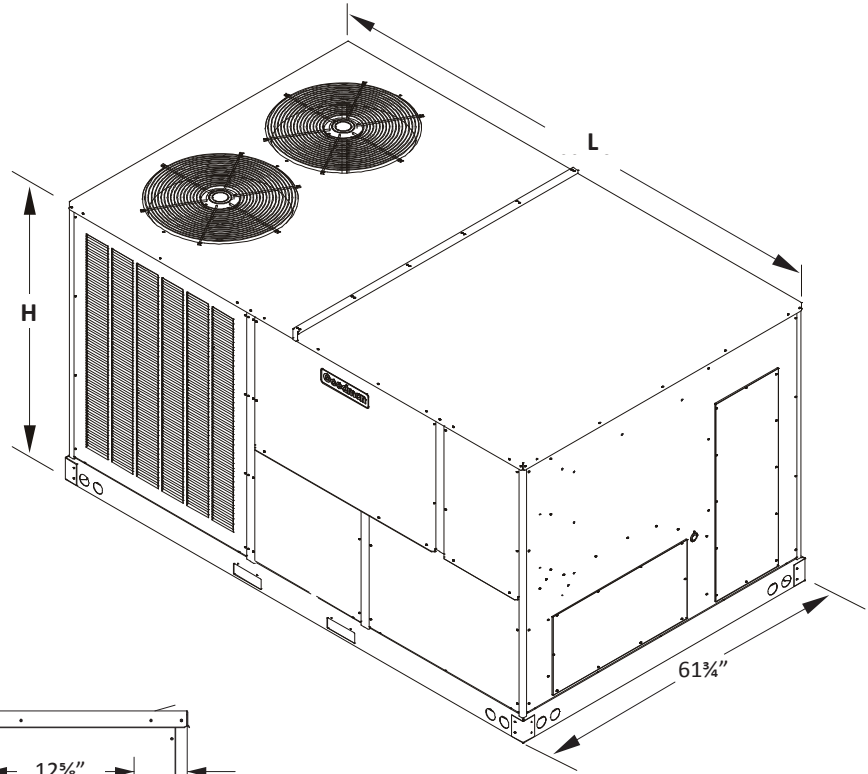
IDB	AIRFLOW	OUTDOOR AMBIENT TEMPERATURE																							
		65				75				85				95				105				115			
		59	63	67	71	59	63	67	71	59	63	67	71	59	63	67	71	59	63	67	71	59	63	67	71
4725	MBh	148.1	151.3	161.7	172.8	144.6	147.8	157.9	168.8	141.2	144.3	154.1	164.8	137.7	140.8	150.4	160.8	130.9	133.7	142.9	152.7	121.2	123.9	132.3	141.5
	S/T	0.88	0.82	0.67	0.50	0.91	0.85	0.69	0.52	0.93	0.87	0.71	0.53	0.96	0.90	0.73	0.55	1.00	0.94	0.76	0.57	1.00	0.94	0.77	0.57
	ΔT	25	24	21	17	26	25	21	17	26	25	21	17	26	25	21	17	25	24	21	17	24	23	20	16
	kW	10.58	10.81	11.15	11.51	11.40	11.64	12.02	12.41	12.12	12.38	12.78	13.21	12.75	13.03	13.46	13.91	13.29	13.59	14.04	14.51	13.76	14.06	14.53	15.03
	Amps	36.8	37.5	38.4	39.6	39.1	39.8	40.9	42.1	41.8	42.6	43.7	45.1	44.1	45.0	46.2	47.6	46.4	47.3	48.7	50.2	48.7	49.7	51.1	52.7
	Hi PR	252	271	286	299	283	304	321	335	322	346	365	381	366	394	416	434	412	443	468	488	455	490	517	539
	Lo PR	103	109	119	127	108	115	126	134	113	120	131	139	118	126	137	146	124	132	144	153	128	136	149	159
	MBh	143.8	146.9	157.0	167.8	140.4	143.5	153.3	163.9	137.1	140.1	149.7	160.0	133.7	136.7	146.0	156.1	127.0	129.8	138.7	148.3	117.7	120.3	128.5	137.3
	S/T	0.84	0.78	0.64	0.48	0.87	0.81	0.66	0.49	0.89	0.83	0.68	0.51	0.92	0.86	0.70	0.52	0.95	0.89	0.73	0.54	0.96	0.90	0.73	0.55
	ΔT	26	25	22	18	27	26	22	18	27	26	22	18	27	26	22	18	26	25	22	18	25	24	21	16
4200	kW	10.50	10.72	11.06	11.42	11.31	11.55	11.92	12.31	12.02	12.28	12.68	13.10	12.65	12.93	13.35	13.80	13.18	13.47	13.92	14.39	13.64	13.95	14.41	14.90
	Amps	36.5	37.2	38.2	39.3	38.8	39.6	40.6	41.8	41.5	42.3	43.4	44.7	43.8	44.6	45.9	47.3	46.1	47.0	48.3	49.8	48.3	49.3	50.7	52.3
	Hi PR	249	268	283	296	280	301	318	332	318	343	362	377	363	390	412	430	408	439	464	483	451	485	512	534
	Lo PR	102	108	118	126	107	114	125	133	111	119	129	138	117	125	136	145	123	131	143	152	127	135	147	157
	MBh	132.7	135.6	144.9	154.9	129.6	132.4	141.5	151.3	126.5	129.3	138.1	147.7	123.4	126.1	134.8	144.1	117.3	119.8	128.0	136.9	108.6	111.0	118.6	126.8
	S/T	0.81	0.76	0.62	0.46	0.84	0.78	0.64	0.48	0.86	0.80	0.65	0.49	0.88	0.83	0.67	0.50	0.92	0.86	0.70	0.52	0.93	0.87	0.71	0.53
	ΔT	29	28	24	19	30	28	25	20	30	28	25	20	30	29	25	20	29	28	25	20	28	26	23	18
	kW	10.25	10.47	10.79	11.14	11.03	11.27	11.63	12.01	11.72	11.98	12.36	12.77	12.33	12.60	13.01	13.45	12.85	13.13	13.57	14.02	13.30	13.59	14.04	14.52
	Amps	35.8	36.4	37.3	38.4	38.0	38.7	39.7	40.9	40.6	41.3	42.4	43.7	42.8	43.6	44.8	46.2	45.0	45.9	47.2	48.7	47.2	48.2	49.5	51.1
	Hi PR	242	260	275	287	271	292	309	322	309	332	351	366	352	378	400	417	396	426	450	469	437	470	497	518
Lo PR	98	105	114	122	104	111	121	129	108	115	126	134	114	121	132	140	119	127	138	147	123	131	143	152	

4725	MBh	150.7	153.6	160.9	171.6	147.2	150.0	157.1	167.6	143.7	146.4	153.4	163.6	140.2	142.9	149.6	159.6	133.1	135.7	142.1	151.6	123.3	125.7	131.7	140.5
	S/T	0.92	0.89	0.80	0.65	0.95	0.92	0.83	0.67	0.98	0.94	0.85	0.69	1.00	0.97	0.88	0.71	1.00	1.00	0.91	0.74	1.00	1.00	0.92	0.75
	ΔT	27	26	25	22	27	27	25	22	27	27	25	22	27	27	26	22	26	26	25	22	24	24	24	20
	kW	10.67	10.89	11.24	11.60	11.49	11.74	12.12	12.51	12.22	12.48	12.89	13.32	12.86	13.14	13.57	14.03	13.40	13.70	14.16	14.63	13.87	14.18	14.66	15.16
	Amps	37.0	37.7	38.7	39.8	39.4	40.1	41.2	42.4	42.1	42.9	44.1	45.4	44.4	45.3	46.5	48.0	46.8	47.7	49.0	50.6	49.1	50.1	51.5	53.1
	Hi PR	254	274	289	302	286	307	324	338	325	349	369	385	370	398	420	438	416	448	473	493	460	495	522	545
	Lo PR	104	110	120	128	109	116	127	135	114	121	132	141	119	127	139	148	125	133	145	155	129	138	150	160
	MBh	146.3	149.1	156.2	166.6	142.9	145.6	152.5	162.7	139.5	142.2	148.9	158.9	136.1	138.7	145.3	155.0	129.3	131.8	138.0	147.2	119.7	122.1	127.8	136.4
	S/T	0.88	0.85	0.76	0.62	0.91	0.88	0.79	0.64	0.93	0.90	0.81	0.66	0.96	0.93	0.84	0.68	1.00	0.96	0.87	0.70	1.00	0.97	0.88	0.71
	ΔT	28	28	26	23	28	28	26	23	28	28	26	23	29	28	27	23	28	28	26	23	26	26	25	21
4200	kW	10.58	10.81	11.15	11.51	11.40	11.64	12.02	12.41	12.12	12.38	12.78	13.21	12.75	13.03	13.46	13.91	13.29	13.59	14.04	14.51	13.76	14.06	14.53	15.03
	Amps	36.8	37.5	38.4	39.6	39.1	39.8	40.9	42.1	41.8	42.6	43.7	45.1	44.1	45.0	46.2	47.6	46.4	47.3	48.7	50.2	48.7	49.7	51.1	52.7
	Hi PR	252	271	286	299	283	304	321	335	322	346	365	381	366	394	416	434	412	443	468	488	455	490	517	539
	Lo PR	103	109	119	127	108	115	126	134	113	120	131	139	118	126	137	146	124	132	144	153	128	136	149	159
	MBh	135.0	137.6	144.1	153.8	131.9	134.4	140.8	150.2	128.7	131.2	137.4	146.6	125.6	128.0	134.1	143.0	119.3	121.6	127.4	135.9	110.5	112.7	118.0	125.9
	S/T	0.85	0.82	0.74	0.60	0.88	0.85	0.76	0.62	0.90	0.87	0.78	0.63	0.93	0.89	0.81	0.65	0.96	0.93	0.84	0.68	0.97	0.94	0.84	0.69
	ΔT	31	31	29	25	32	31	29	25	32	31	29	25	32	31	30	26	31	31	29	25	29	29	27	24
	kW	10.33	10.55	10.88	11.23	11.12	11.36	11.72	12.10	11.82	12.08	12.47	12.88	12.43	12.71	13.12	13.56	12.96	13.24	13.68	14.14	13.41	13.71	14.16	14.64
	Amps	36.0	36.7	37.6	38.7	38.3	39.0	40.0	41.2	40.9	41.6	42.8	44.1	43.1	43.9	45.1	46.5	45.3	46.3	47.5	49.0	47.6	48.5	49.9	51.5
	Hi PR	244	263	278	290	274	295	312	325	312	336	354	370	355	382	404	421	400	430	454	474	442	475	502	523
Lo PR	99	106	116	123	105	112	122	130	109	116	127	135	115	122	133	142	120	128	140	149	124	132	144	154	

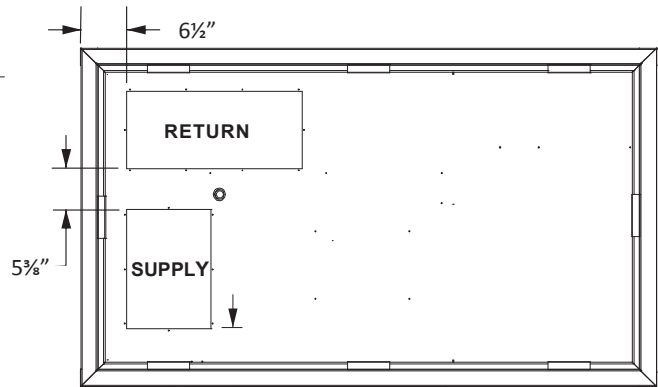
IDB: Entering Indoor Dry Bulb Temperature
 High and low pressures are measured at the liquid and suction access fittings.
 Shaded area reflects ACCA (TVA) Rating Conditions
 Amps: Unit amps (comp.+ evaporator+ condenser fan motors)
 KW = Total system power

DIMENSIONS

MODEL SIZE	DIMENSIONS	
	H	L
7½ to 10 Tons	52⅞"	99⅞"
12½ Tons	58⅞"	99⅞"



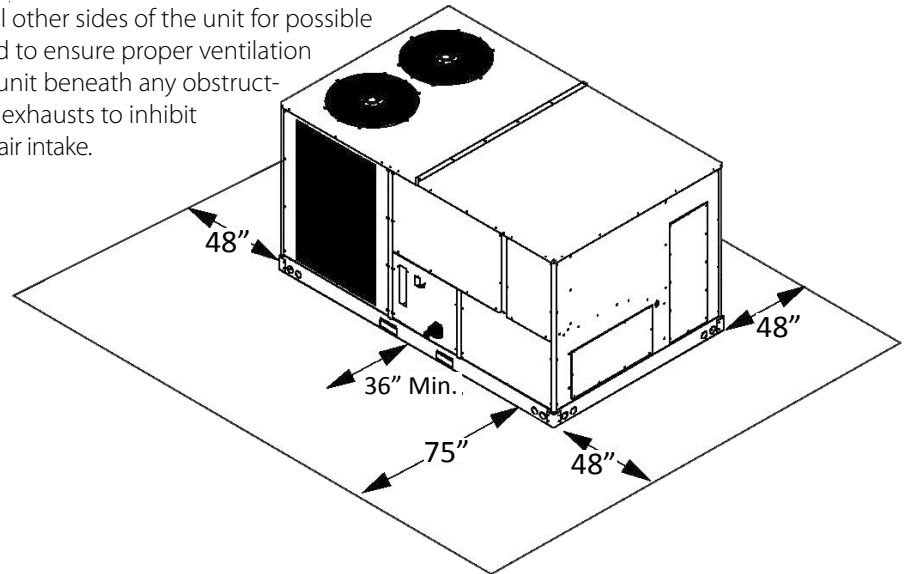
Horizontal Discharge



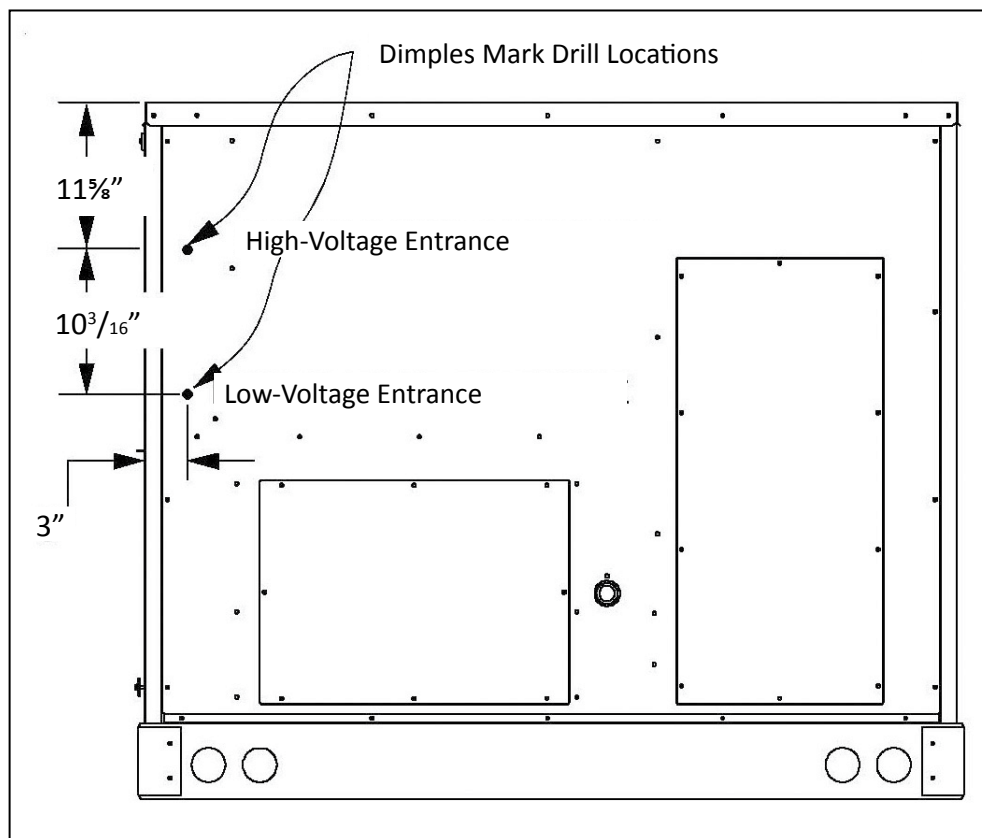
Vertical Discharge (Bottom of Unit)

UNIT CLEARANCES

Maintain an adequate clearance around the unit for safety, service, maintenance, and proper unit operation. Leave a total clearance of 75" on the main control panel side of the unit for possible removal of fan shaft, coil, electric heat, and gas furnace. Leave a clearance of 48" on all other sides of the unit for possible compressor removal or service access, and to ensure proper ventilation and condenser airflow. Do not install the unit beneath any obstruction. Install the unit away from all building exhausts to inhibit ingestion of exhaust air into the unit's fresh-air intake.



ELECTRICAL ENTRANCE LOCATIONS



ROOF CURB INSTALLATION — RIGGING

Provisions for forks have been included in the unit base frame. No other fork locations are approved.

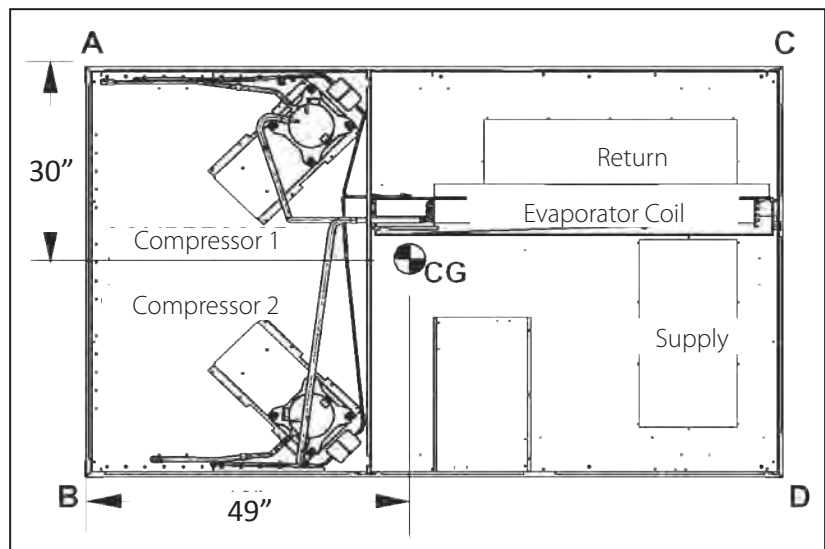
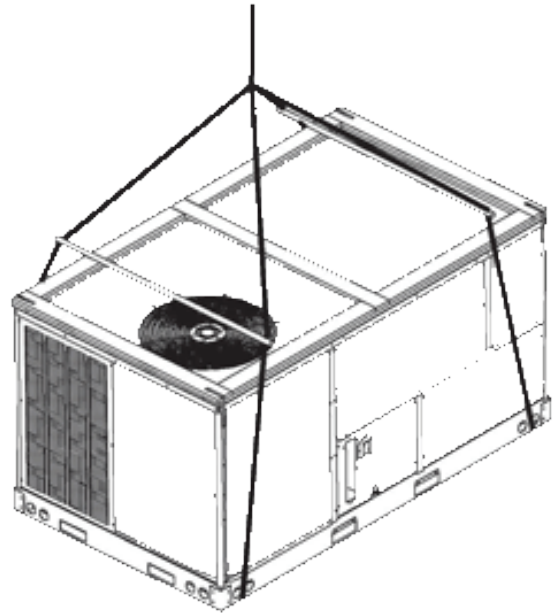
- Unit must be lifted by the four lifting holes located at the base frame corners.
- Lifting cables should be attached to the unit with shackles.
- The distance between the crane hook and the top of the unit must not be less than 60”.
- Two spreader bars must span over the unit to prevent damage to the cabinet by the lift cables. Spreader bars must be of sufficient length so that cables do not come in contact with the unit during transport. Remove wood struts mounted beneath unit base frame before setting unit on roof curb. These struts are intended to protect unit base frame from fork lift damage. To remove the struts, extract the sheet metal retainers and pull the struts through the base of the unit. Refer to rigging label on the unit.

Important: If using bottom discharge with roof curb, duct-work should be attached to the curb prior to installing the unit. Duct-work dimensions are shown in Roof Curb Installation Instructions Manual.

Refer to the Roof Curb Installation Instructions for proper curb installation. Curbing must be installed in compliance with the National Roofing Contractors Association Manual.

Lower unit carefully onto roof mounting curb. While rigging the unit, the center of gravity will cause the condenser end to be lower than the supply air end.

Bring condenser end of unit into alignment with the curb. With condenser end of the unit resting on curb member and using curb as a fulcrum, lower opposite end of the unit until entire unit is seated on the curb. When a rectangular cantilever curb is used, take care to center the unit. Check for proper alignment and orientation of supply and return openings with duct.



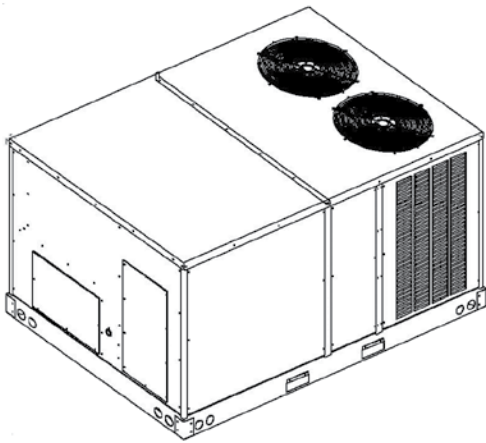
CORNER & CENTER-OF-GRAVITY LOCATIONS

UNIT WEIGHTS	7½-TON A MODELS WEIGHTS (LBS)	7½-TON B MODELS & 8½-TON WEIGHTS (LBS)	10-TON WEIGHTS (LBS)	12½-TON WEIGHTS (LBS)
Weight A	280	260	285	420
Weight B	280	245	285	335
Weight C	280	240	285	290
Weight D	280	225	285	230
Shipping Weight	1150	1000	1175	1300
Operating Weight	1110	975	1135	1275

To assist in determining rigging requirements, unit weights are shown to the right.

Note: These weights are calculated without accessories installed.

ROOF CURB INSTALLATION (CONT.)



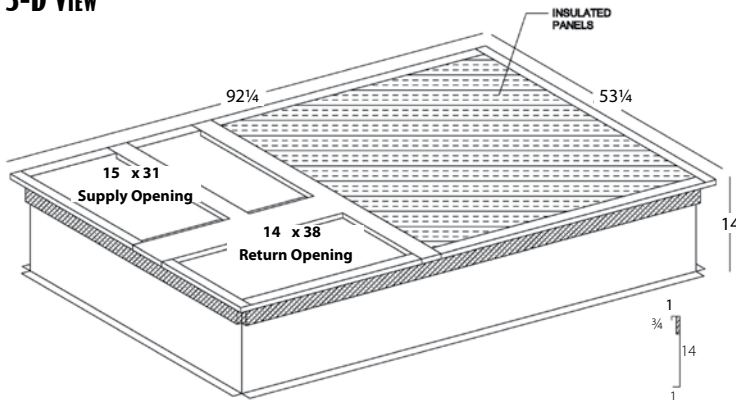
Curb installations must comply with local codes and should follow the established guidelines of the National Roofing Contractors Association.

Proper unit installation requires that the roof curb be firmly and permanently attached to the roof structure. Check for adequate fastening method prior to setting the unit on the curb.

Full perimeter roof curbs are available from the factory and are shipped unassembled. The installing contractor is responsible for field assembly, squaring, leveling, and mounting on the roof structure. All required hardware necessary for the assembly of the sheet metal curb is included in the curb accessory package.

- Determine sufficient structural support before locating and mounting the curb and package unit.
- Duct-work must be constructed using industry guidelines. The duct-work must be placed into the roof curb before mounting the package unit. Our full perimeter curbs include duct connection frames to be assembled with the curb. Cantilevered-type curbs are not available from the factory.

3-D VIEW

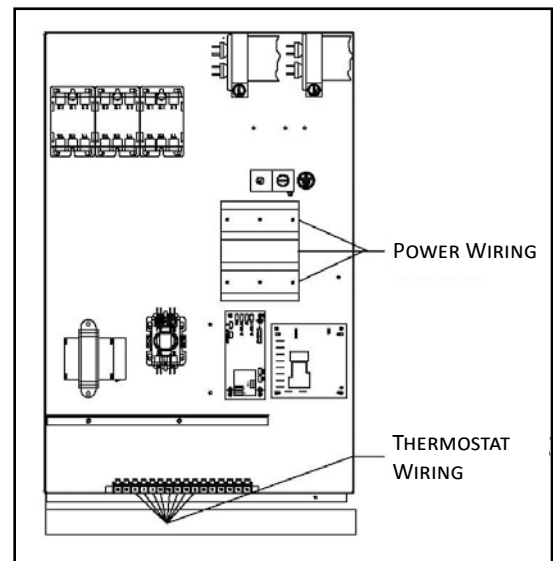
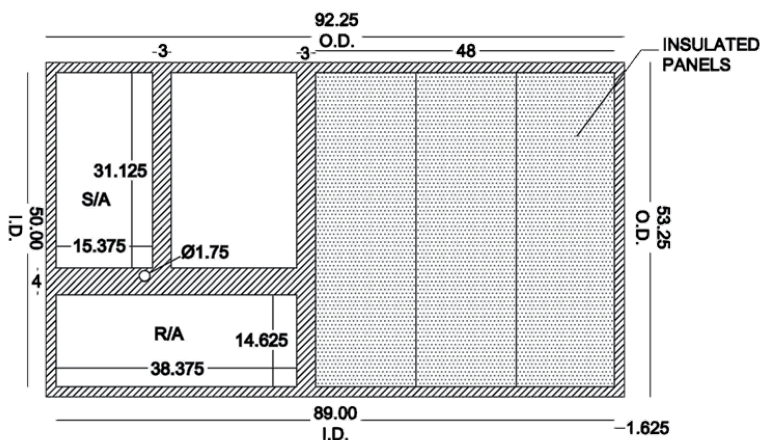


- Contractor furnishes curb insulation, cant strips, flashing, and general roofing material.
- Support curbs on parallel sides with roof members. To prevent damage to the unit, the roof members cannot penetrate supply and return duct openings.

Note: The unit and curb accessories are designed to allow vertical duct installation before unit placement. Duct installation after unit placement is not recommended.

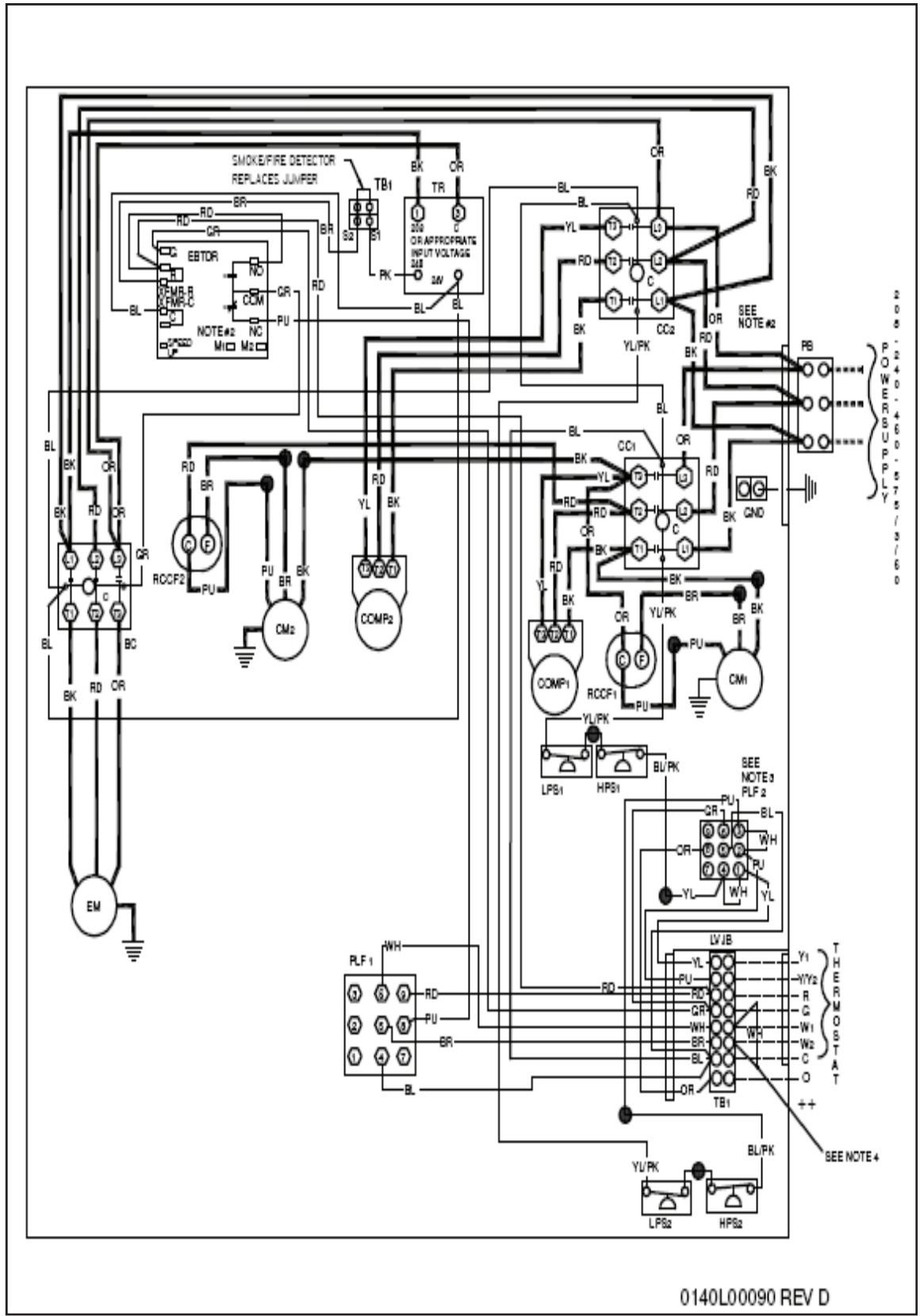
See the manual shipped with the roof curb for assembly and installation instructions.

TOP VIEW



POWER AND LOW-VOLTAGE BLOCK LOCATIONS

WIRING DIAGRAM — CPC090-120 (FOR MODELS WITH SERIAL NUMBERS 0907 AND BELOW)



⚡

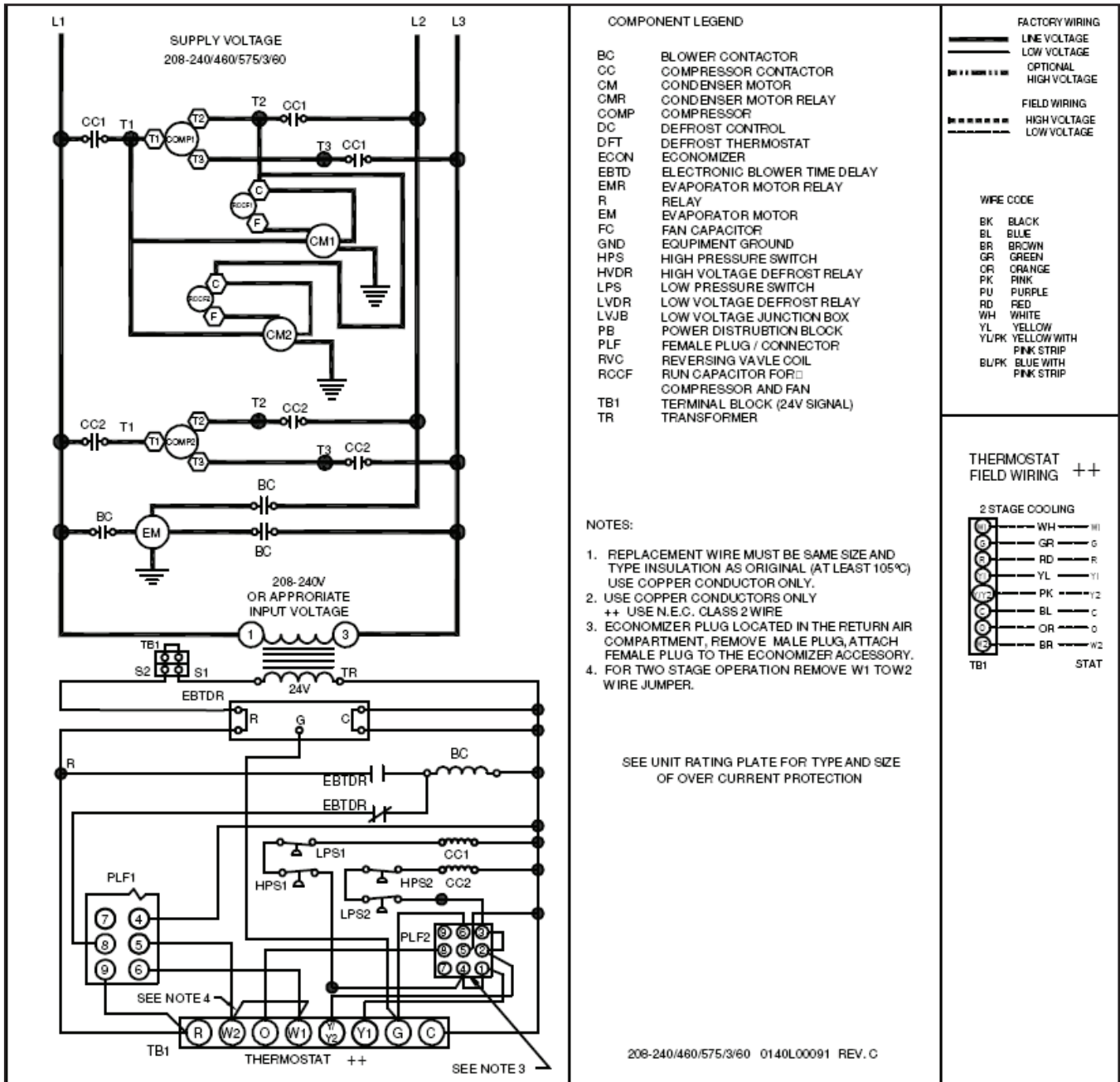
High Voltage: Disconnect all power before servicing or installing this unit. Multiple power sources may be present. Failure to do so may cause property damage, personal injury, or death.

WARNING

⚠

Wiring is subject to change. Always refer to the wiring diagram or the unit for the most up-to-date wiring.

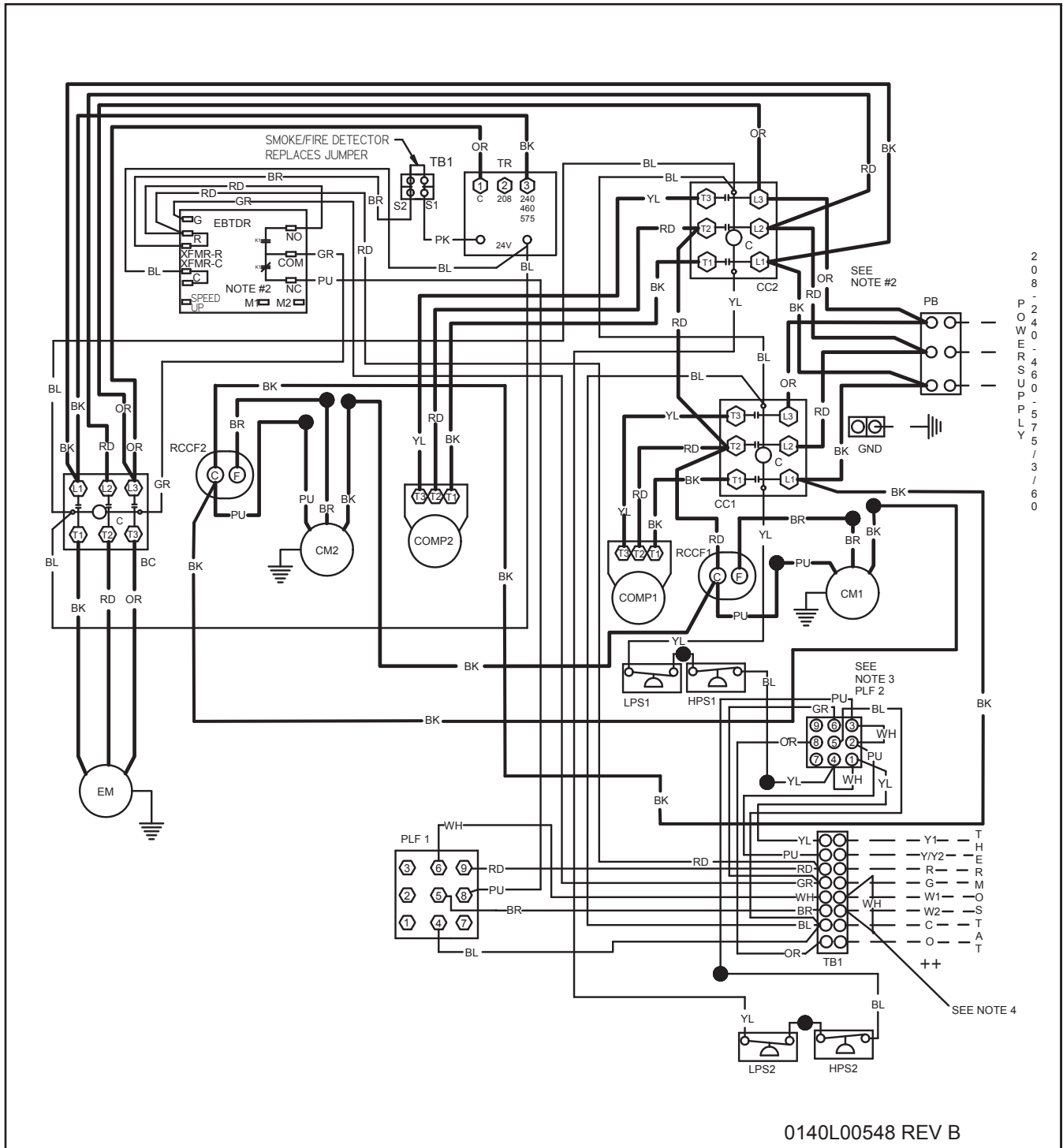
WIRING DIAGRAM — CPC090-120 (CONT.) (FOR MODELS WITH SERIAL NUMBERS 0907 AND BELOW)



Wiring is subject to change. Always refer to the wiring diagram or the unit for the most up-to-date wiring.

	WARNING	High Voltage: Disconnect all power before servicing or installing this unit. Multiple power sources may be present. Failure to do so may cause property damage, personal injury, or death.	
--	----------------	---	--

WIRING DIAGRAM — CPC090-150



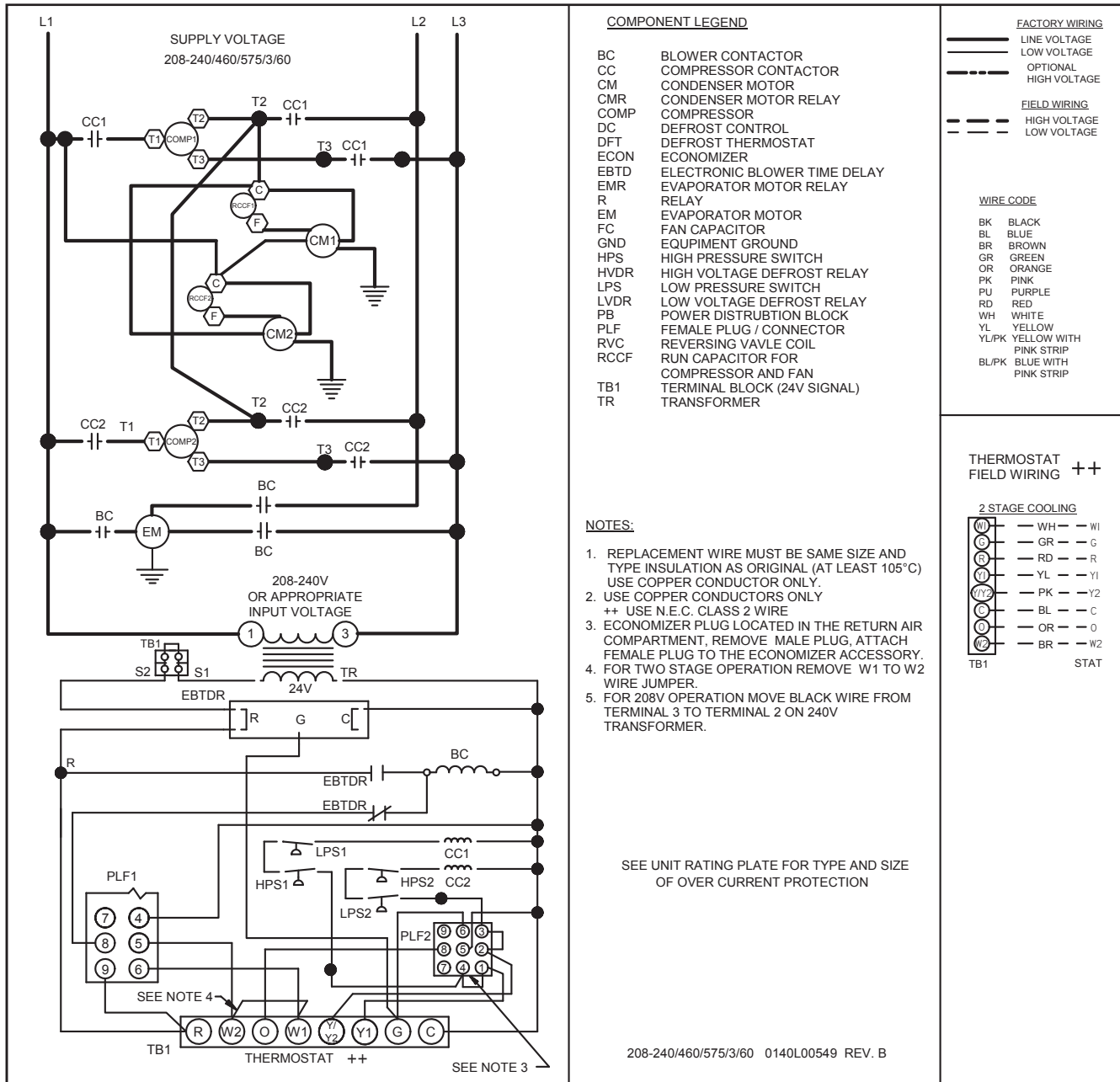
Wiring is subject to change. Always refer to the wiring diagram or the unit for the most up-to-date wiring.



High Voltage: Disconnect all power before servicing or installing this unit. Multiple power sources may be present. Failure to do so may cause property damage, personal injury, or death.



WIRING DIAGRAM — CPC090-150 (CONT.)



Wiring is subject to change. Always refer to the wiring diagram or the unit for the most up-to-date wiring.

	WARNING	<p>High Voltage: Disconnect all power before servicing or installing this unit. Multiple power sources may be present. Failure to do so may cause property damage, personal injury, or death.</p>	
--	----------------	--	--

ACCESSORIES

ITEM #	DESCRIPTION	FITS MODEL SIZES
14CURB90150	Roof Curb 14" Tall	7½-12½ tons
25FD90150	25% Manual Fresh Air Damper	7½-12½ tons
25MFD90150	25% Motorized Fresh Air Damper	7½-12½ tons
BRD3672	Horizontal Barometric Relief Damper	7½-12½ tons
CDK120	Concentric Duct Kit	10 tons
CDK150	Concentric Duct Kit	12½ tons
CDK90102	Concentric Duct Kit	7½-8½ tons
DNBBS90150	Burglar Bar Sleeves: Includes Supply & Return	7½-12½ tons
DNECONGS90120	Downflow Economizer	7½-10 tons
DNECONGS150	Downflow Economizer	12½ tons
DNSQRRND90	Downflow Square-to-Round Adapter 20" Round	7½ tons
GHRC-1	Hurricane Restraint Clip	All Models
HailGD02	Condenser Coil Hail Guard	7½-10 tons
HailGD05	Condenser Coil Hail Guard	12½ tons
HAKT36300	High-Altitude Kit	All Models
HSKT090	High-Static Kit for 7½-ton & 8½-ton AA models	7½-8½ tons
HSKT090G	High-Static Kit for 7½-ton BA models	7½ tons
HSKT120	High-Static Kit for 10-ton AA models	10 tons
HSKT150	High-Static Kit for 12½-ton AA models	12½ tons
HZECONGS90150	Horizontal Economizer	7½-12½ tons
LAKT02	Low-Ambient Kit for units with serial number below 0909	7½-12½ tons
LAKT03	Low Ambient Kit for units with serial numbers 0909 and above	7½-12½ tons
LPKT36150	LP Conversion Kit (230/460v)	3-12½ tons
PE901502	Power Exhaust 208/230v	7½-12½ tons
PE901504	Power Exhaust 460v	7½-12½ tons

NOTES

NOTES



Goodman Manufacturing Company, L.P. reserves the right to discontinue, or change at any time, specifications or designs without notice or without incurring obligations. © 2011 • Goodman Manufacturing Company, L.P. • Houston, Texas • Printed in the USA.

